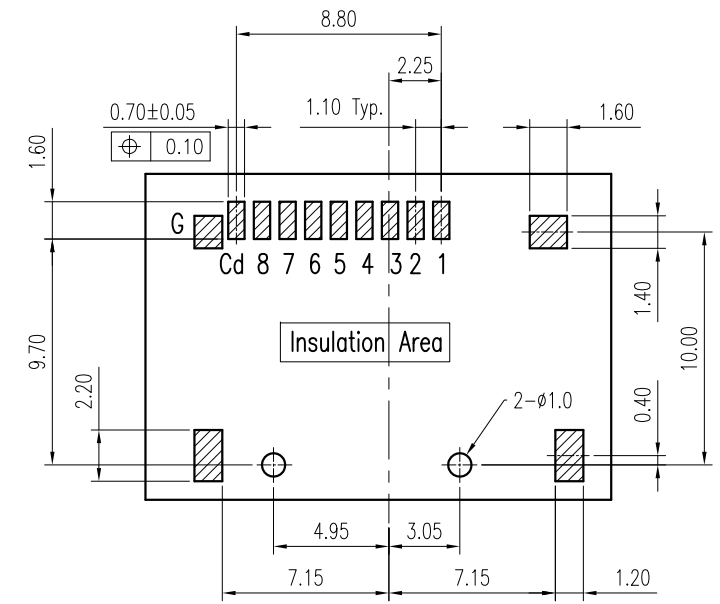
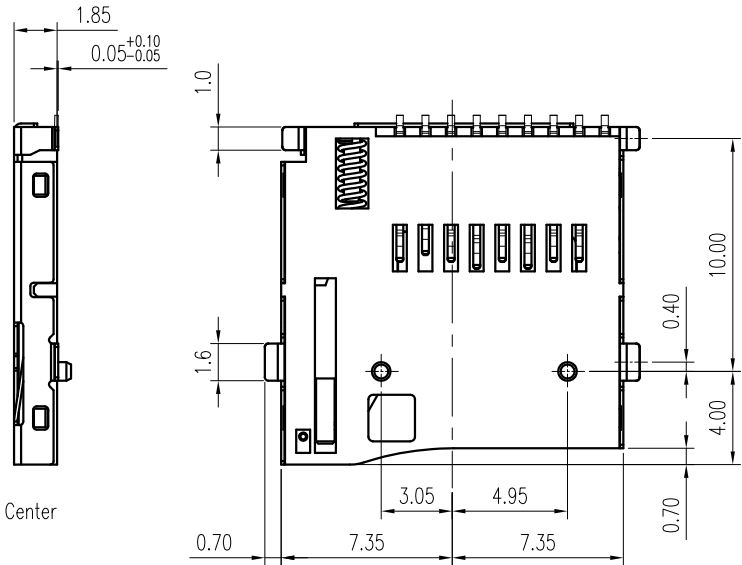
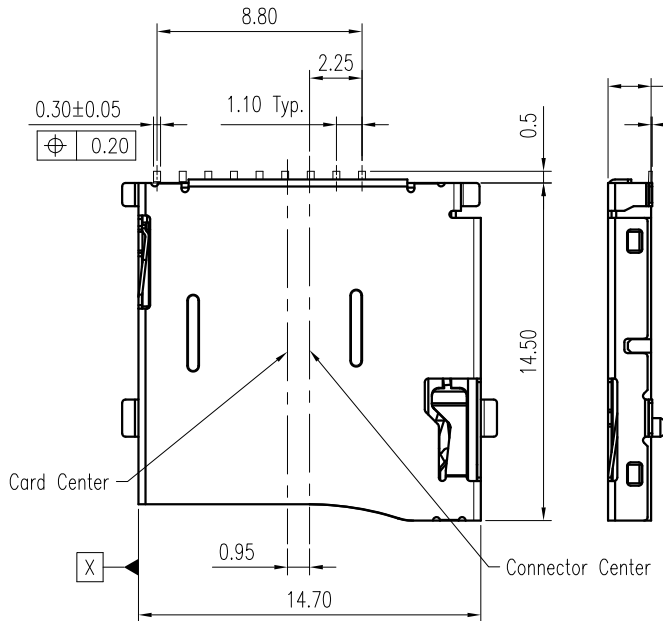
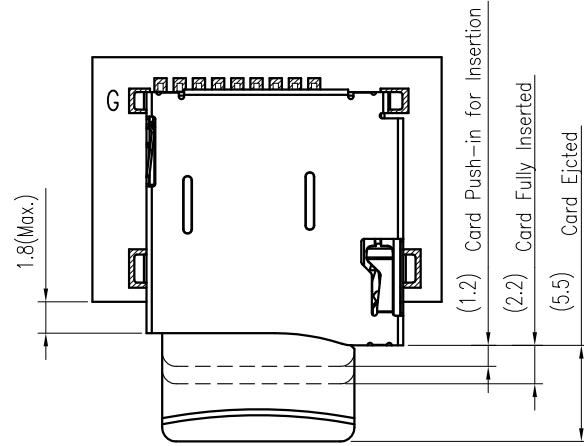


REV.	DESCRIPTION	ECN NO.	DATE	DRAWER
A	New Release		07/23/2008	Winnie
B	Modified Title $\triangle_B$ x1	EC1005014	05/11/2010	Vic

Notes:

- Material :  
Housing : Thermoplastic UL 94V-0, Black  
Terminal : Copper Alloy  
Shell : SUS304R-3/4H  
Drag Link : SUS304  
Spring : Piano Wire
- Finish :  
Terminal : G/F Overall, 30u"Min.  
Ni Under-plated.
- Order Information :  
ZM90-15000-0BR1  
Z: RoHS(for High Temperature)

Card Detection Switch			
When Card is Ejected	When Card is Inserted		
Open	Close		
		Cd	G



Recommended P.C.B. Layout  
Layout Tolerance = ± 0.05 mm

DIMENSION IN mm [inch]	
Tolerance unless otherwise specified	
X.	X.* ± 10'
X.X ± 0.38	X.X* ± 5'
X.XX ± 0.25	X.XX* ± 2'
X.XXX ± 0.15	X.XXX* ±

**CEN** 欣訊科技股份有限公司  
CEN LINK CO., LTD.  
CUSTOMER DRAWING

Title $\triangle_B$ Micro SD T-Flash Memory Card Conn.	Scale: 3 : 1
Dwg No. ZM90-15000-0BR1	Size: A 4
File No.	Rev : B
Appraver:	Sheet: 1 / 1
Checker:	05/11/2010
Drawer: Vic	