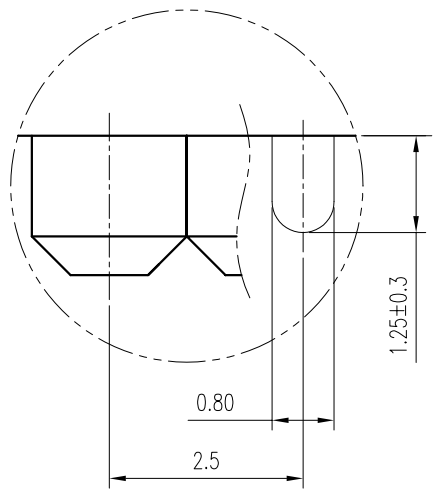
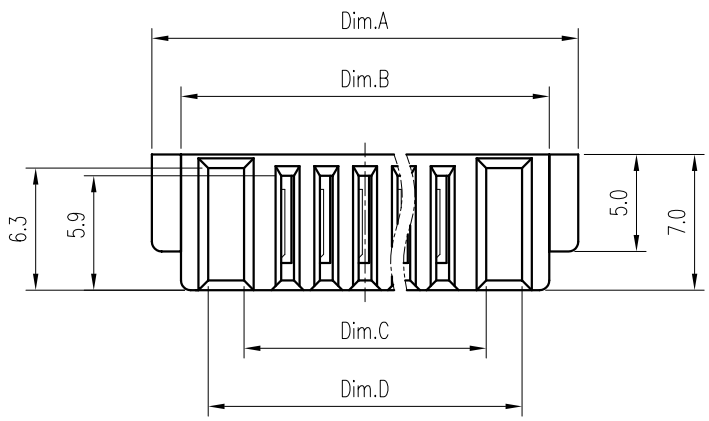


REV.	DESCRIPTION	ECN NO.	DATE	DRAWER
D	Added Type.	EC0605042	05/24/2006	Jeff
E	Added Type.	DECN070105	01/12/2007	H.e.g
F	Modified Amount of Pins Option	DECN070301	03/05/2007	H.e.g



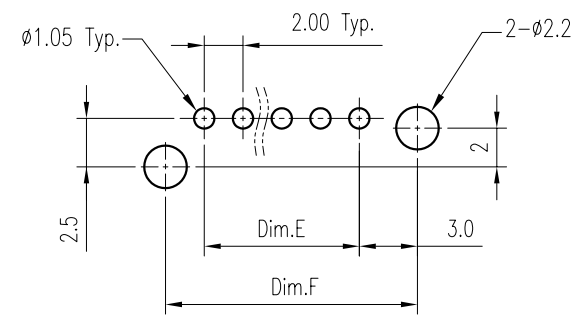
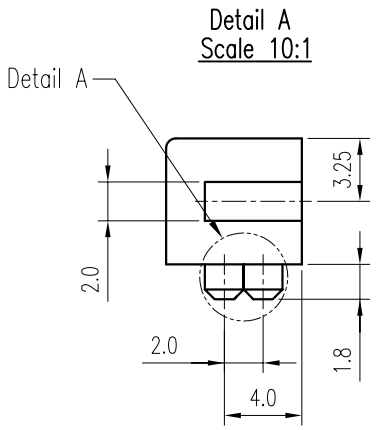
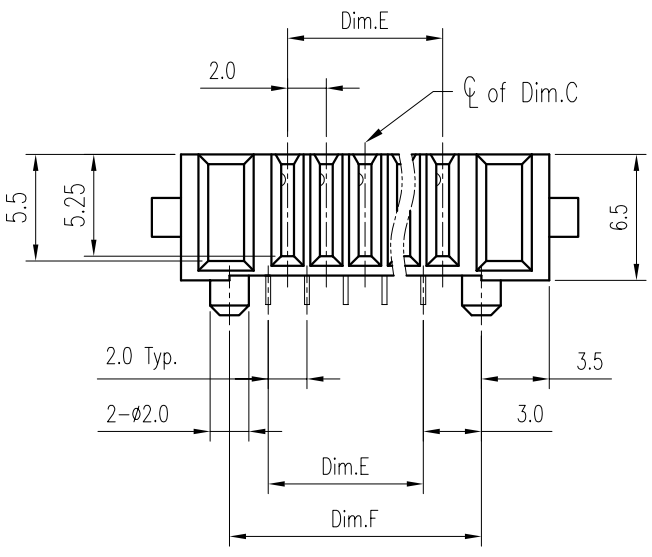
Notes:

- Material :
Housing : Thermoplastic UL 94V-0, Black
Terminal : Copper Alloy
- Finish :
Terminal : Selected Gold on Contact Area, 1u" Min. Gold on Solder Tails, Both over 40u" Min. Ni Under-plated Overall
- Order Information :
T SA0-063 XX -01T X

T : RoHS (for High Temperature)

Plating
 2 : 2u" Min. Gold on Contact Area
 3 : 5u" Min. Gold on Contact Area
 4 : 10u" Min. Gold on Contact Area
 8 : 30u" Min. Gold on Contact Area

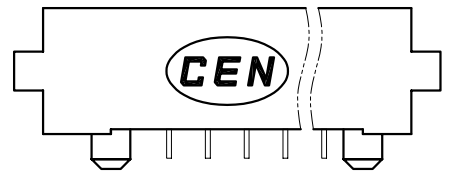
Amount of Pins:
 06 : 6 Pins
 ?
 10 : 10 Pins
 A0 : 11 Pins
 B0 : 12 Pins



Recommended P.C.B. Layout
 Layout Tolerance = ± 0.05 mm

Dimension Information:

Part No.	Dim.	Dim.A	Dim.B	Dim.C	Dim.D	Dim.E	Dim.F
TSA0-06306-01TX		24.0	21.0	14.5	18.2	10.0	15.0
TSA0-06307-01TX		26.0	23.0	16.5	20.2	12.0	17.0
TSA0-06308-01TX		28.0	25.0	18.5	22.2	14.0	19.0
TSA0-06309-01TX		30.0	27.0	20.5	24.2	16.0	21.0
TSA0-06310-01TX		32.0	29.0	22.5	26.2	18.0	23.0
TSA0-063A0-01TX		34.0	31.0	24.5	28.2	20.0	25.0
TSA0-063B0-01TX		36.0	33.0	26.5	30.2	22.0	27.0



DIMENSION IN mm [inch]		CEN 欣訊科技股份有限公司 CEN LINK CO., LTD.	Title 2.0 mm Battery Conn. Female Type	
Tolerance unless otherwise specified				Dwg No. TSA0-063XX-01TX
X. ± 0.38	X.* ± 10'	CUSTOMER DRAWING	File No. PO2015	Size: A 4
X.X ± 0.25	X.X* ± 5'		Apprver:	Rev : F
X.XX ± 0.13	X.XX* ± 2'		Checker:	Drawer: H.e.g
X.XXX ±	X.XXX* ±			03/05/2007
			Sheet: 1 / 1	