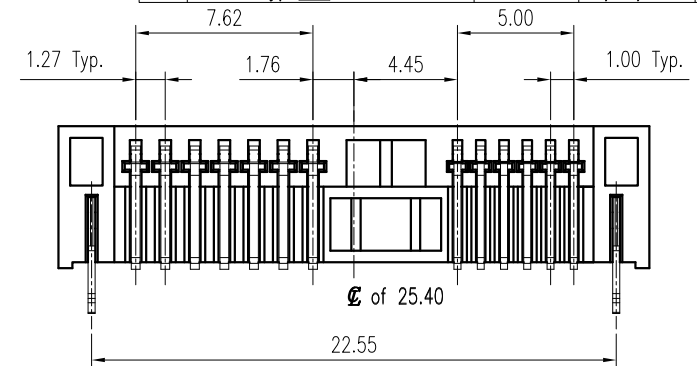
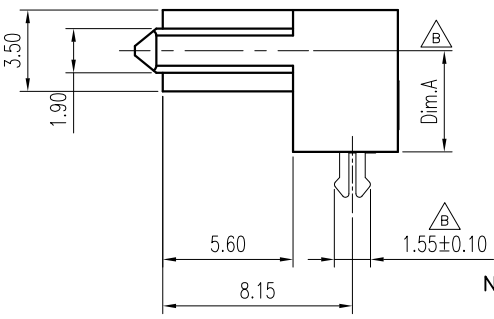
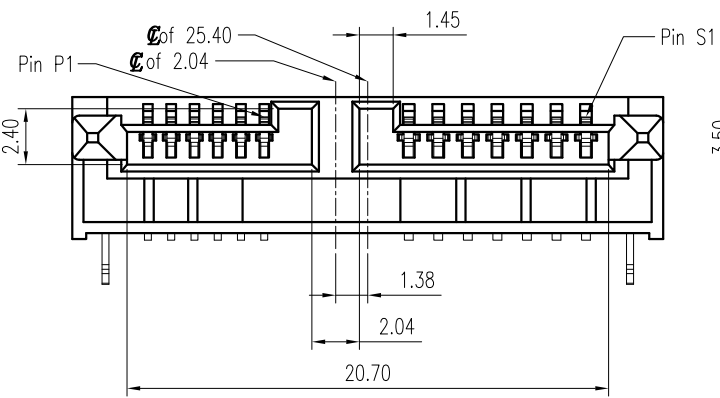


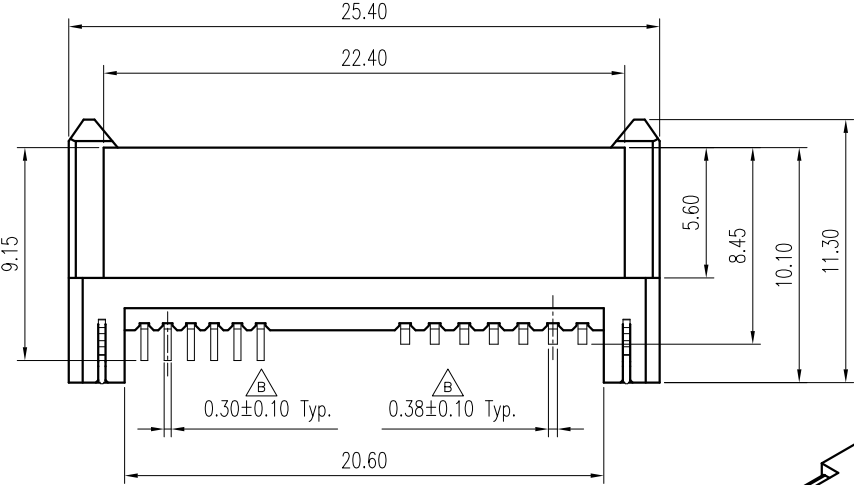
REV.	DESCRIPTION	ECN NO.	DATE	DRAWER
A	New Released		12/31/2009	Steven
B	Added Type \triangle_B x 9	EC1007041	07/19/2010	Neal



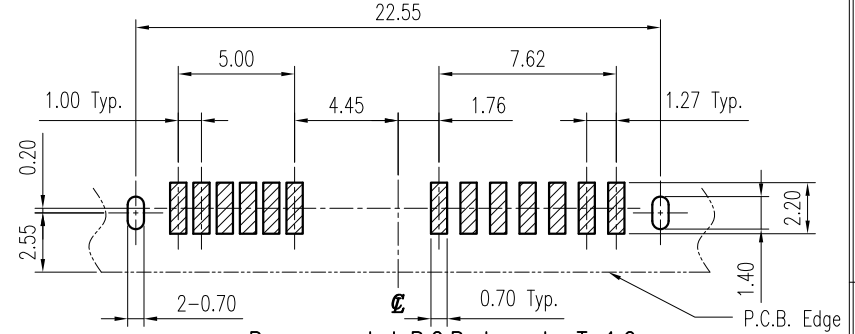
- Notes: 1. Material :
Housing : Thermoplastic UL 94V-0, Black
 \triangle_B Cap : Thermoplastic , Black
Terminal : Copper Alloy
Forklock : Copper Alloy
2. Finish :
Terminal : Selected Gold on Contact Area, Gold Flash on Solder Tails, Both over 50u" Min. Ni Under-plated Overall
 \triangle_B Forklock : 50u" Min. Ni over 100u" Min. Tin Overall
3. Order Information :
T BNO-01621- X 0 X X A

Dimension Information: \triangle_B

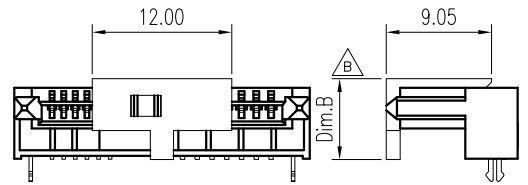
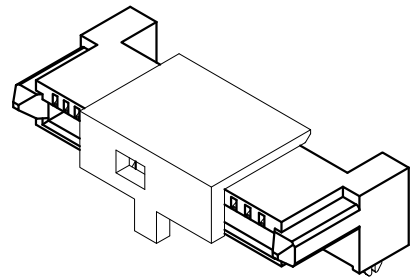
Part No.	Dim.	Dim.A	Dim.B
TBNO-01621-10XXA		4.35	6.95
TBNO-01621-20XXA		5.35	7.95



- See Dimension Information
- Packing
T : Tube
1 : Cap + Tube
2 : Cap + Reel
- Plating
1 : Gold Flash on Contact Area
2 : 3u" Min. Gold on Contact Area
3 : 5u" Min. Gold on Contact Area
4 : 10u" Min. Gold on Contact Area
5 : 15u" Min. Gold on Contact Area



Recommended P.C.B. Layout T=1.2mm
Layout Tolerance = ± 0.05 mm



With Cap
Scale 1.5:1

DIMENSION IN mm [inch]			
Tolerance unless otherwise specified			
X.	±	X.*	± 10'
X.X	± 0.38	X.X*	± 5'
X.XX	± 0.25	X.XX*	± 2'
X.XXX	± 0.13	X.XXX*	±

CEN 欣訊科技股份有限公司
CEN LINK CO., LTD.
CUSTOMER DRAWING

Title	Slimline SATA Female Type		
Dwg No.	TBNO-01621-X0XXA \triangle_B		
File No.	P09039		Scale: 3 : 1
Apprver:	Checker:	Drawer: Neal	Size: A 4
07/19/2010			Rev : B
			Sheet: 1 / 1