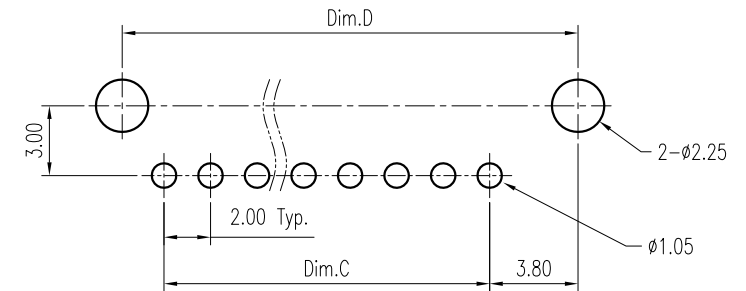
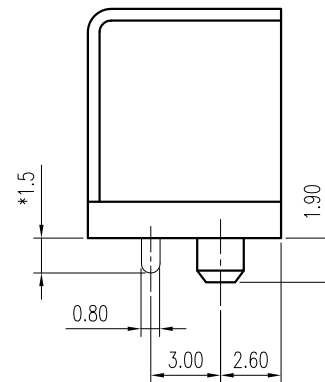
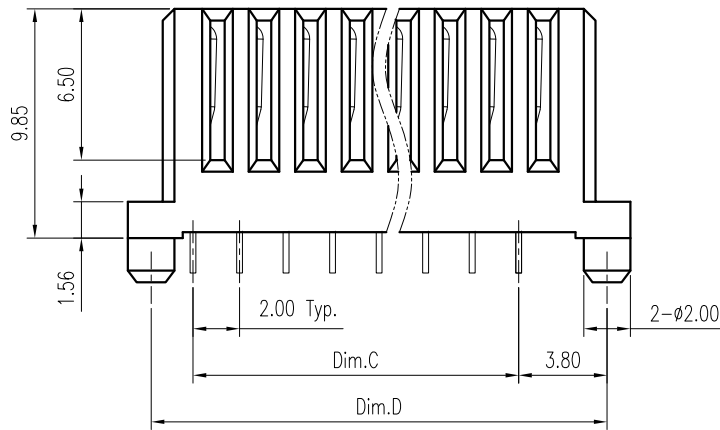
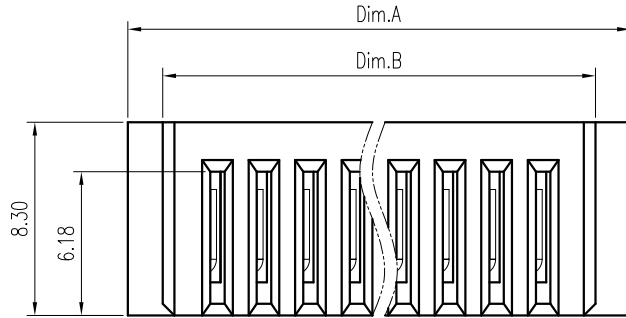


REV.	DESCRIPTION	ECN NO.	DATE	DRAWER
A	New Released		03/12/2010	Hyde



Notes:

- Material :
Housing : Thermoplastic UL 94V-0, Black
Terminal : Copper Alloy
- Finish :
Terminal : Selected Gold on Contact Area,
Gold Flash on Solder Tails,
Both over 40u" Ni Under-plated Overall
- Order Information :
T SA0-031 XX -52T X A
T : RoHs (for High Temperature)
Amount of Pins:
05 : 5 Pins
s
10 : 10 Pins
Plating Option:
2 : 2u" Gold on Contact Area
3 : 5u" Gold on Contact Area

Dimension Information:

Part No.	Dim.	Amount of Pins	Dim.A	Dim.B	Dim.C	Dim.D
TSA0-03105-52TXA	5	5	15.60	12.60	8.00	13.60
TSA0-03106-52TXA	6	6	17.60	14.60	10.00	15.60
TSA0-03107-52TXA	7	7	19.60	16.60	12.00	17.60
TSA0-03108-52TXA	8	8	21.60	18.60	14.00	19.60
TSA0-03109-52TXA	9	9	23.60	20.60	16.00	21.60
TSA0-03110-52TXA	10	10	25.60	22.60	18.00	23.60

DIMENSION IN mm [inch]		CEN 欣訊科技股份有限公司 CEN LINK CO., LTD.	Title 2.0mm Pitch Battery Conn. Female Type		
Tolerance unless otherwise specified			Dwg No. TSA0-031XX-52TXA		
X.	X.* ± 10'	CUSTOMER DRAWING		Scale: 3 : 1	
X.X ± 0.38	X.X* ± 5'	Apprver:		Size: A 4	
X.XX ± 0.25	X.XX* ± 2'	Checker:		Rev : A	
X.XXX ± 0.13	X.XXX* ±	Drawer: Hyde		Sheet: 1 / 1	
				03/12/2010	