

REV.	DESCRIPTION	ECN NO.	DATE	DRAWER
A	New Released		09/06/2010	Alan

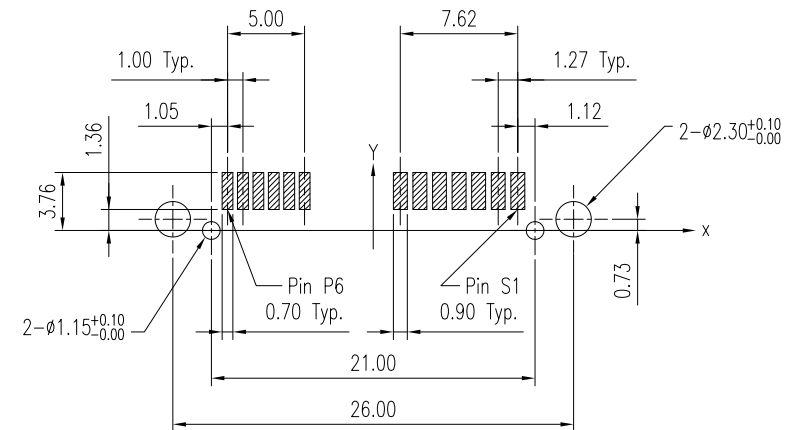
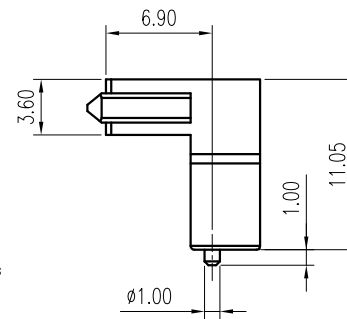
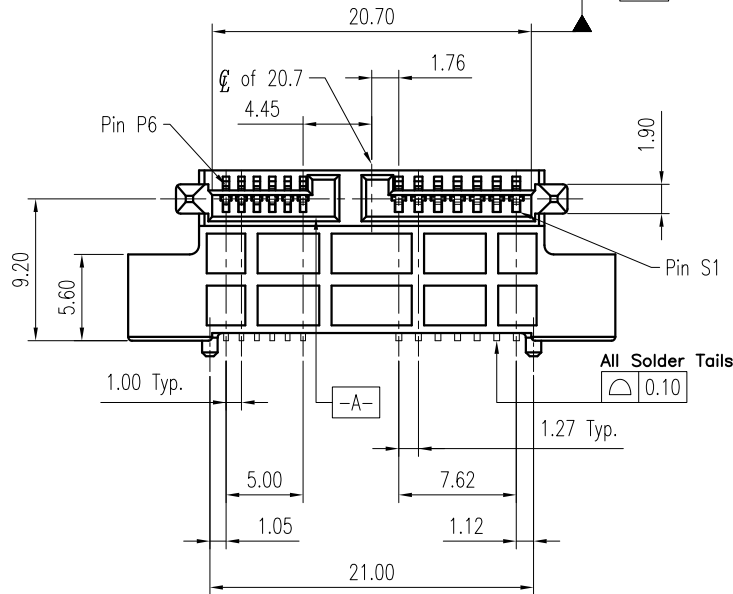
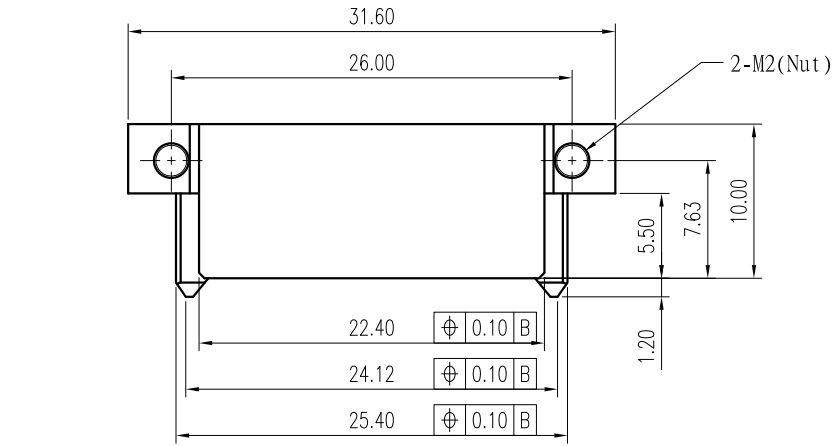
Notes:

- Material :
Housing : Thermoplastic UL 94V-0, Black
Terminal : Copper Alloy
Cap : Thermoplastic , Black
Nut : Copper Alloy
- Finish :
Terminal : Selected Gold on Contact Area, Gold Flash or 100u" Tin on Solder Tails, Both over 40u" Min. Nickel Under-plated Overall
Nut : 40u" Nickel Overall
- Order Information :

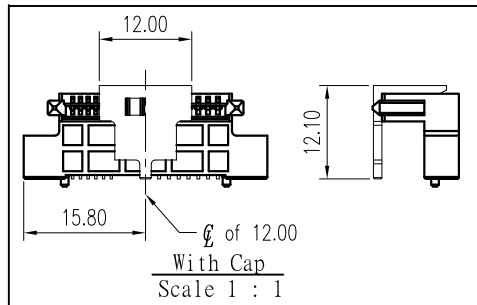
TBNO-01520-10 X X A

Packing
T : Tube
1 : Cap + Tube
2 : Cap + Reel

Plating
2 : 2u" Min. Gold on Contact Area, G/F on Solder Tails
3 : 5u" Min. Gold on Contact Area, G/F on Solder Tails
4 : 10u" Min. Gold on Contact Area, G/F on Solder Tails
B : 2u" Min. Gold on Contact Area, 100u" Tln on Solder Tails
C : 5u" Min. Gold on Contact Area, 100u" Tln on Solder Tails
D : 10u" Min. Gold on Contact Area, 100u" Tln on Solder Tails



Recommended P.C.B. Layout
Layout Tolerance = ± 0.05 mm



DIMENSION IN mm [inch]			
Tolerance unless otherwise specified			
X.	±	X.*	± 10'
X.X	± 0.38	X.X*	± 5'
X.XX	± 0.25	X.XX*	± 2'
X.XXX	± 0.13	X.XXX*	±

CEN 欣訊科技股份有限公司
CEN LINK CO., LTD.
CUSTOMER DRAWING

Title	Slimline SATA Receptacle With Nut (SMT)	Scale: 2 : 1
Dwg No.	TBNO-01520-10XXA	
File No.	PO9032	Rev : A
Approver:	Checker:	Sheet: 1 / 1
Drawer:	Alan	09/06/2010

