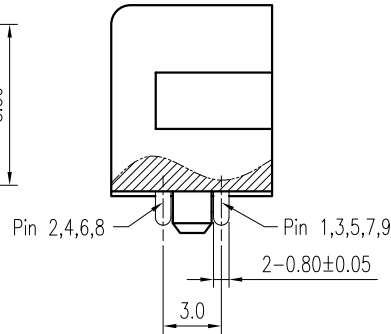
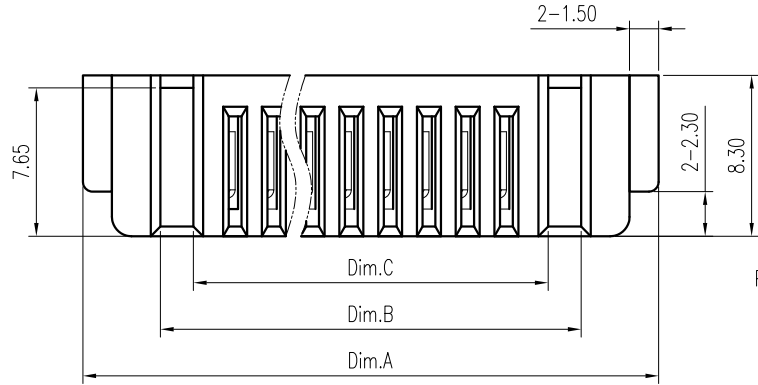


REV.	DESCRIPTION	ECN NO.	DATE	DRAWER
A	New Release		04/18/2006	Edsen
B	Add Plating Option \triangle_B x1	EC0909042	09/15/2009	Hyde



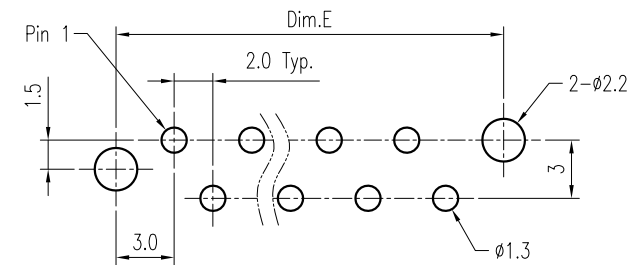
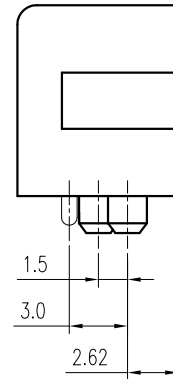
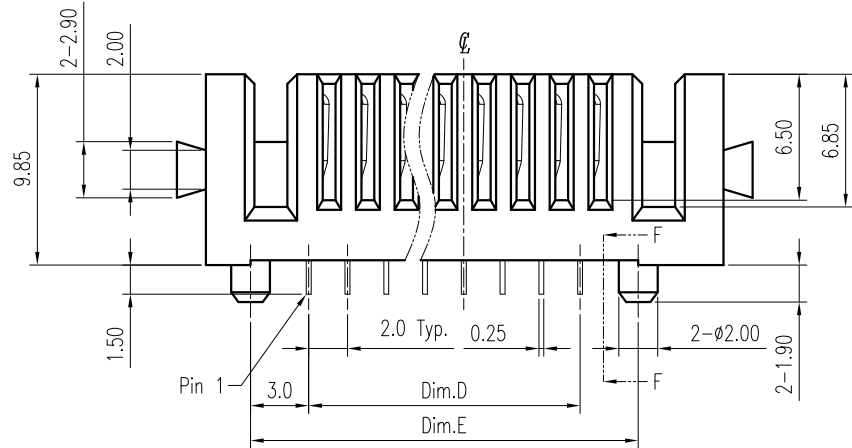
Section F-F

Notes:

- Material :
Housing : Thermoplastic UL 94V-0, Black
Terminal : Copper Alloy
- Finish :
Terminal : Selected Gold on Contact Area,
G/F on Solder Tails,
Both over 40u" Ni Under-plated Overall
- Order Information :
TSAO-030 XX -12T X
T : RoHs (for High Temperature)

Amount of Pins
04 : 4 Pin
5
09 : 9 Pin

Plating
2 : 2u" Gold on Contact Area
3 : 5u" Gold on Contact Area
 \triangle_B 5 : 15u" Gold on Contact Area



Dimension Information:

Part No.	Dim.	Amount of Pins	Dim.A	Dim.B	Dim.C	Dim.D	Dim.E
TSAO-03004-12TX	4	4	21.7	13.7	10.3	6.0	12.0
TSAO-03005-12TX	5	5	23.7	15.7	12.3	8.0	14.0
TSAO-03006-12TX	6	6	25.7	17.7	14.3	10.0	16.0
TSAO-03007-12TX	7	7	27.7	19.7	16.3	12.0	18.0
TSAO-03008-12TX	8	8	29.7	21.7	18.3	14.0	20.0
TSAO-03009-12TX	9	9	31.7	23.7	20.3	16.0	22.0

Recommended P.C.B. Layout
Layout Tolerance = ± 0.05 mm

DIMENSION IN mm [inch]			
Tolerance unless otherwise specified			
X.	\pm --	X.*	$\pm 10'$
X.X	± 0.38	X.X*	$\pm 5'$
X.XX	± 0.25	X.XX*	$\pm 2'$
X.XXX	± 0.13	X.XXX*	\pm

CEN 欣訊科技股份有限公司
CEN LINK CO., LTD.
CUSTOMER DRAWING

Title 2.0mm Pitch Battery Conn. Female Type
Dwg No. TSAO-030XX-12TX
File No. P03002

Approver:

Checker:

Drawer: **Hyde**
09/15/2009

Scale: 2.5 : 1
Size: A 4
Rev : B
Sheet: 1 / 1