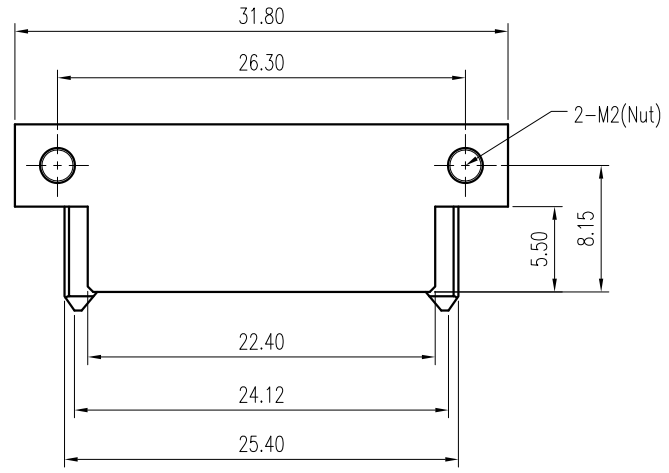


REV.	DESCRIPTION	ECN NO.	DATE	DRAWER
A	New Released		02/03/2010	Alan

E  
D  
C  
B  
A



Notes:

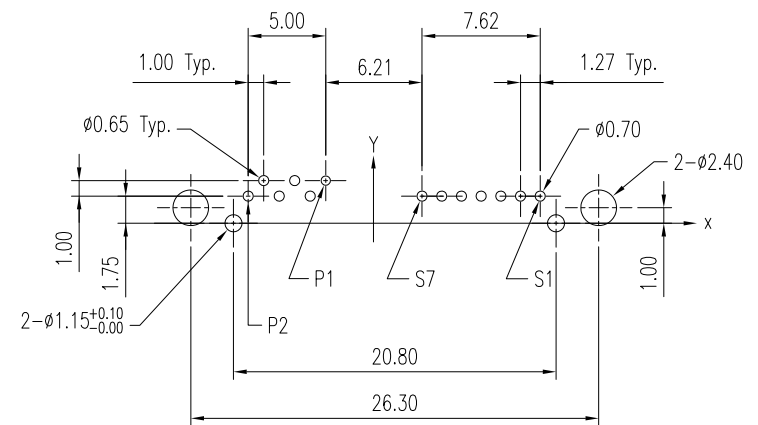
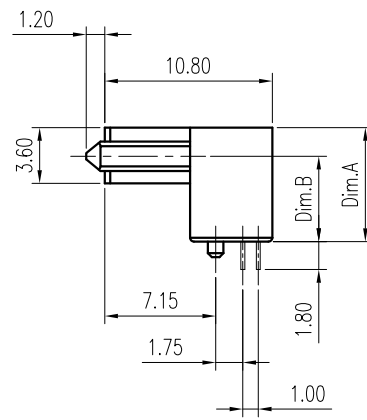
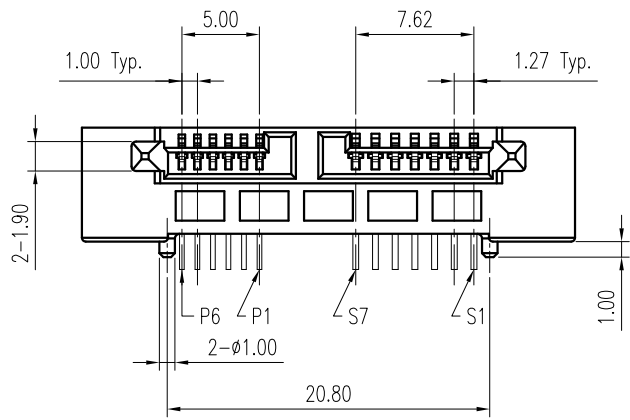
- Material :  
 Housing : Thermoplastic UL 94V-0, Black  
 Terminal : Copper Alloy  
 Cap : Thermoplastic UL 94V-0, Black  
 Nut : Copper Alloy
- Finish :  
 Terminal : Selected Gold on Contact Area, Gold Flash  
 or 100u" Tin on Solder Tails, Both over 40u"  
 Min. Ni Under-plated Overall  
 Nut : 40u" Ni Overall
- Order Information :

TBNO-01410- X 0 X X A

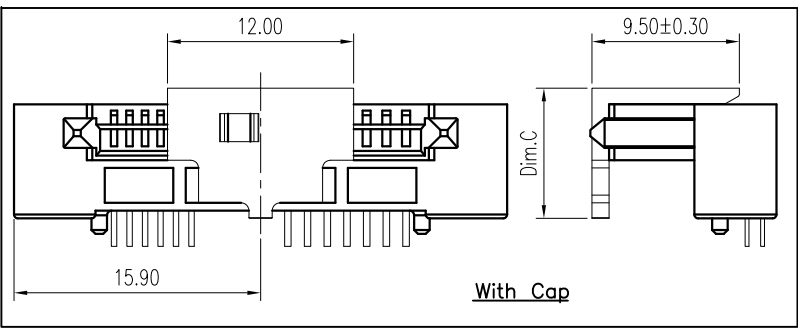
Type:  
 1 : Dim.B = 2.50mm  
 2 : Dim.B = 5.50mm

Plating  
 2 : 2u" Min. Gold on Contact Area, G/F on Solder Tails  
 3 : 5u" Min. Gold on Contact Area, G/F on Solder Tails  
 4 : 10u" Min. Gold on Contact Area, G/F on Solder Tails  
 B : 2u" Min. Gold on Contact Area, 100U" Tin on Solder Tails  
 C : 5u" Min. Gold on Contact Area, 100U" Tin on Solder Tails  
 D : 10u" Min. Gold on Contact Area, 100U" Tin on Solder Tails

Packing  
 T : Tube  
 1 : Cap + Tube  
 2 : Cap + Reel



Recommended P.C.B. Layout  
 Layout Tolerance = ± 0.05 mm



Part No.	Dim.	Dim.A	Dim.B	Dim.C
TBNO-01410-10XXA	4.35	2.50	5.40	
TBNO-01410-20XXA	7.35	5.50	8.40	

DIMENSION IN mm [inch]	
Tolerance unless otherwise specified	
X. ±	X.* ± 10'
X.X ± 0.38	X.X* ± 5'
X.XX ± 0.25	X.XX* ± 2'
X.XXX ± 0.13	X.XXX* ±

CEN 欣訊科技股份有限公司  
 CEN LINK CO., LTD.  
 CUSTOMER DRAWING

Title Slimline SATA Receptacle  
 With Nut (Dip)  
 Dwg No. TBNO-01410-X0XXA  
 File No. PO9033  
 Approver:  
 Checker:  
 Drawer: Alan  
 02/03/2010

Scale: 2 : 1  
 Size: A 4  
 Rev : A  
 Sheet: 1 / 1