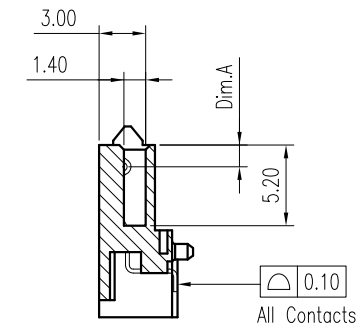
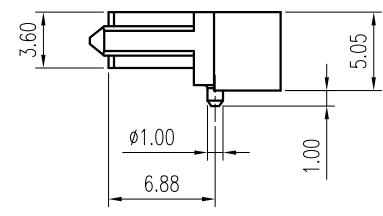
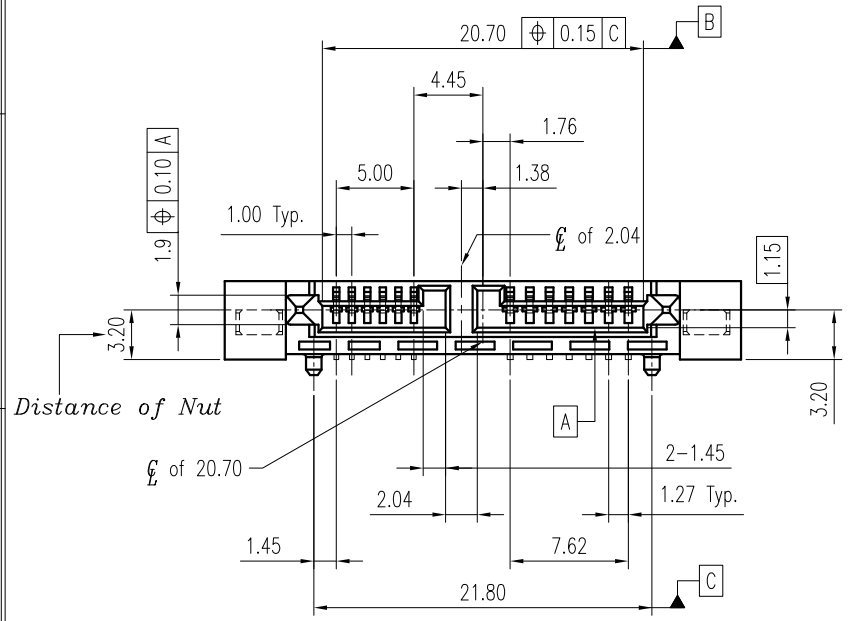
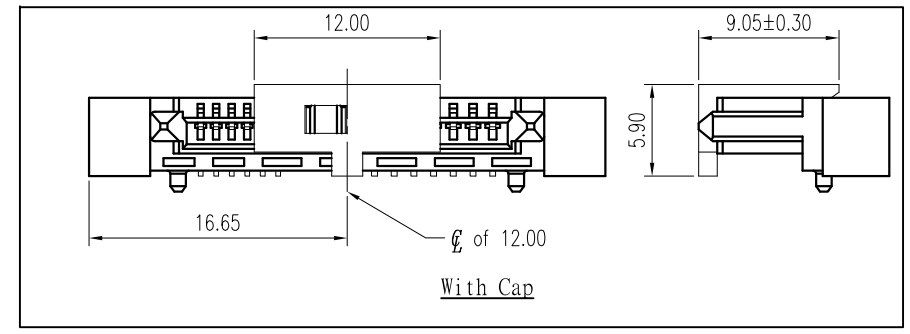
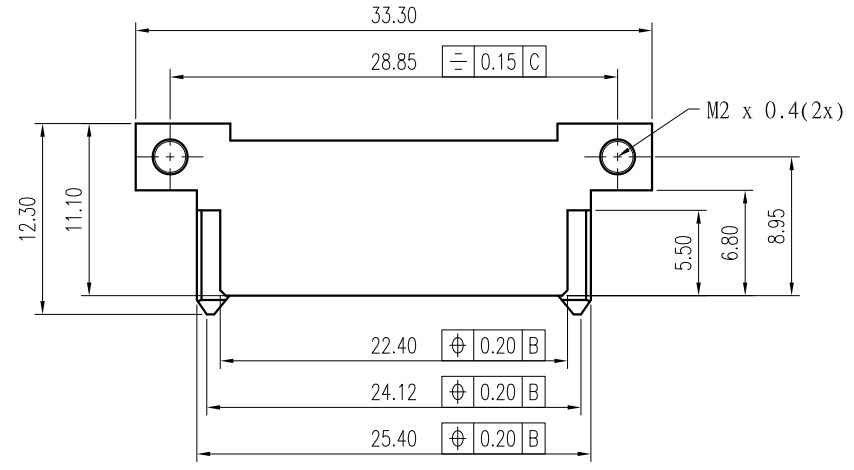
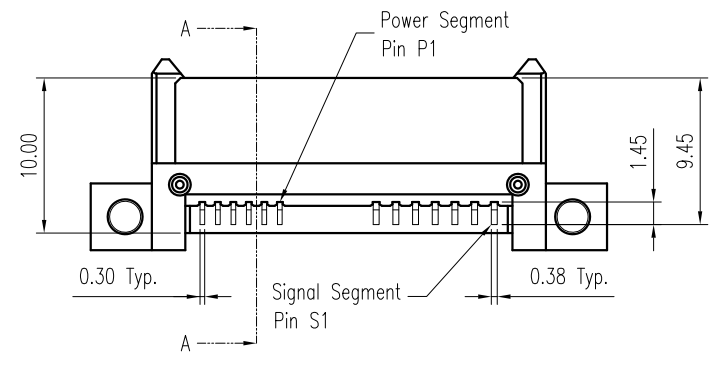


REV.	DESCRIPTION	ECN NO.	DATE	DRAWER
A	New Release		02/18/2009	Alan



Part No.	Dim.	Dim.A
Pin P1		1.90
The Other Pins		1.40



DIMENSION IN mm [inch]	
Tolerance unless otherwise specified	
X. ±	X.* ± 10'
X.X ± 0.38	X.X* ± 5'
X.XX ± 0.25	X.XX* ± 2'
X.XXX ± 0.13	X.XXX* ±

欣訊科技股份有限公司
CEN LINK CO., LTD.
CUSTOMER DRAWING

Title: SLIMLINE SATA RECPACLE
BOTTOM MOUNT WITH NUT(SMT)
Dwg No. TBNO-01320-10XX
File No. PO8036

Approver: _____ Checker: _____ Drawer: Alan
02/18/2009

Scale: 2 : 1
Size: A 4
Rev : A
Sheet: 1 / 2

