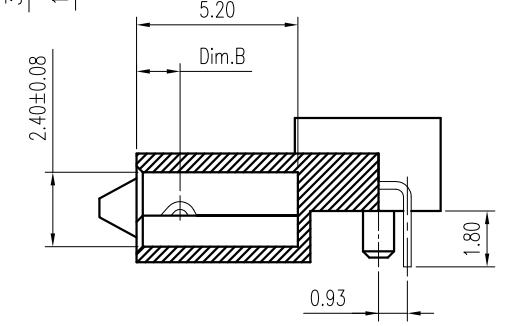
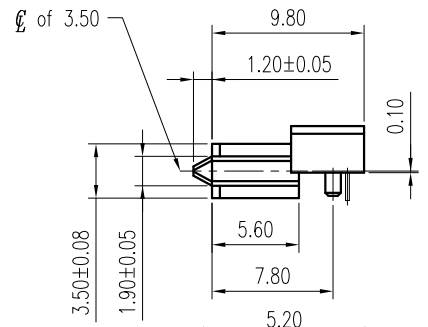
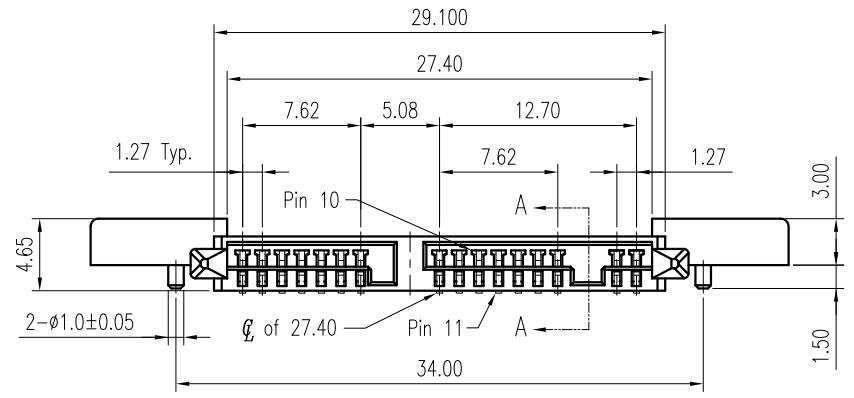
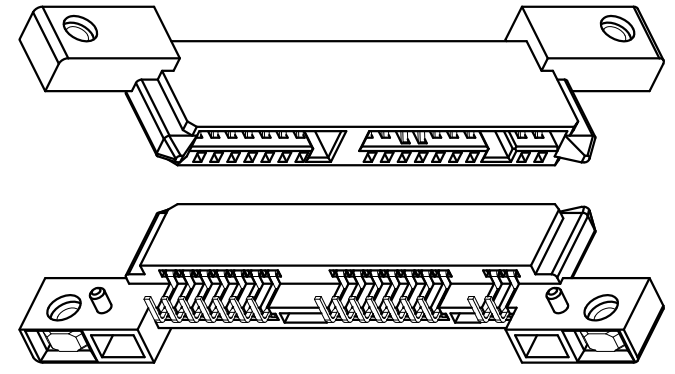
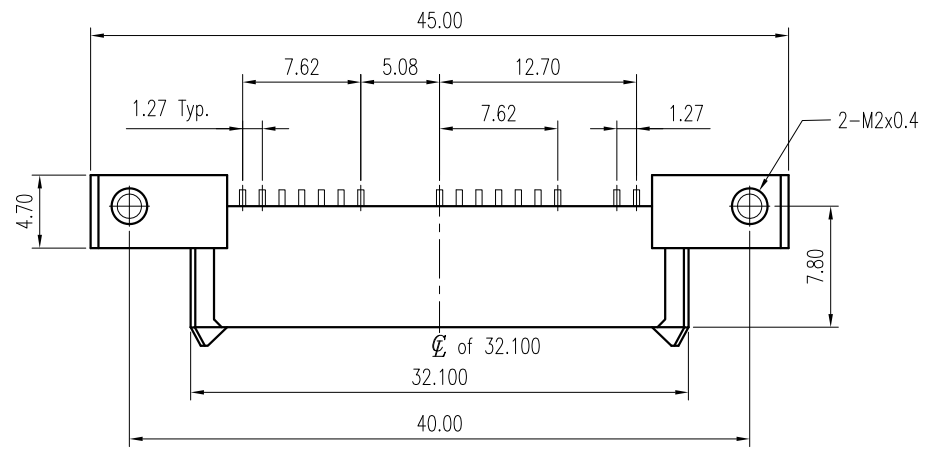


REV.	DESCRIPTION	ECN NO.	DATE	DRAWER
A	New Release		07/31/2008	Jeff

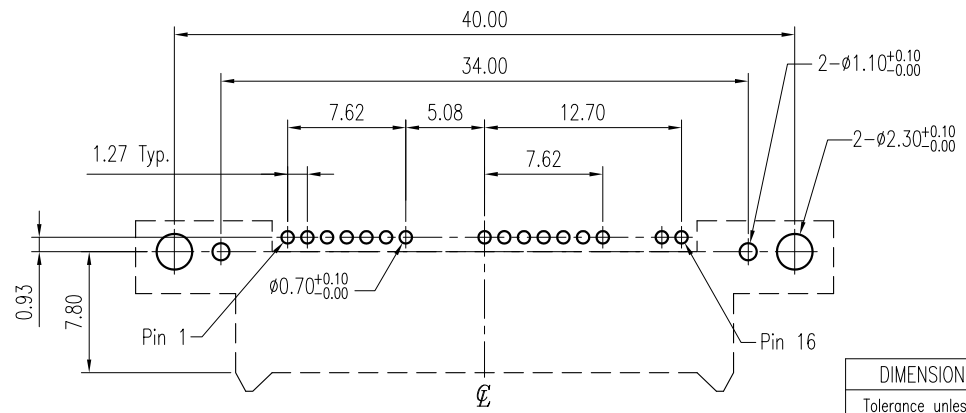


Section A-A  
Scale 4:1

Notes:

- Material :  
Housing : Thermoplastic UL 94V-0 , Black  
Terminal : Copper Alloy  
Nut : Copper Alloy
  - Finish :  
Terminal : Selected Gold on Contact Area,  
G/F on Solder Tails, Both over  
40u" Min. Ni Under-plated Overall  
Nut : 40u" Min. Ni Under-plated Overall
  - Order Information :  
T BNO-10100-00 T X  
T : RoHS(for High Temperature)
- Packing  
T : Tube
- Plating  
1 : Gold Flash on Contact Area  
5 : 15u" Min. Gold on Contact Area  
8 : 30u" Min. Gold on Contact Area

Part No.	Dim.	Dim.B
Pin 10 & Pin 11		1.40
Other Pin		1.90



Recommended P.C.B. Layout  
Layout Tolerance = ± 0.05 mm

DIMENSION IN mm [inch]	
Tolerance unless otherwise specified	
X.	X.* ± 10'
X.X ± 0.25	X.X' ± 5'
X.XX ± 0.15	X.XX' ± 2'
X.XXX ± 0.10	X.XXX' ±

**CEN** 欣訊科技股份有限公司  
CEN LINK CO., LTD.  
CUSTOMER DRAWING

Title	1.27 mm Pitch Micro SATA Conn. R/A DIP Type
Dwg No.	TBNO-10100-00TX
File No.	P08017

Approver:	Checker:	Drawer: Jeff	07/31/2008
-----------	----------	--------------	------------

Scale:	2 : 1
Size:	A 4
Rev :	A
Sheet:	1 / 1