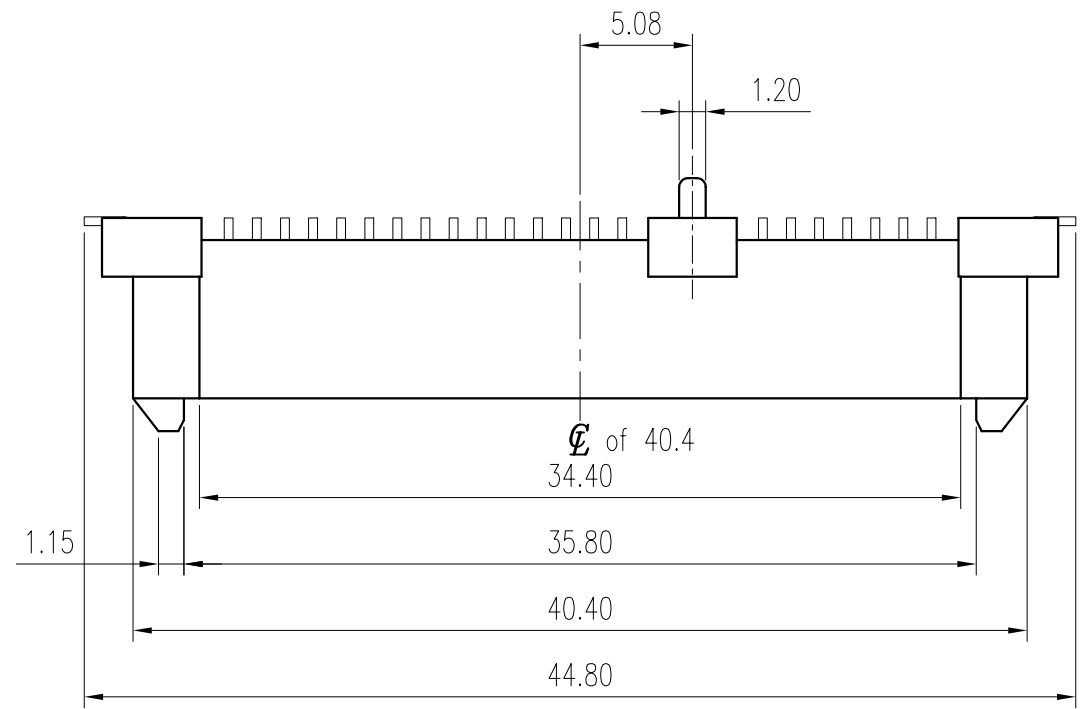


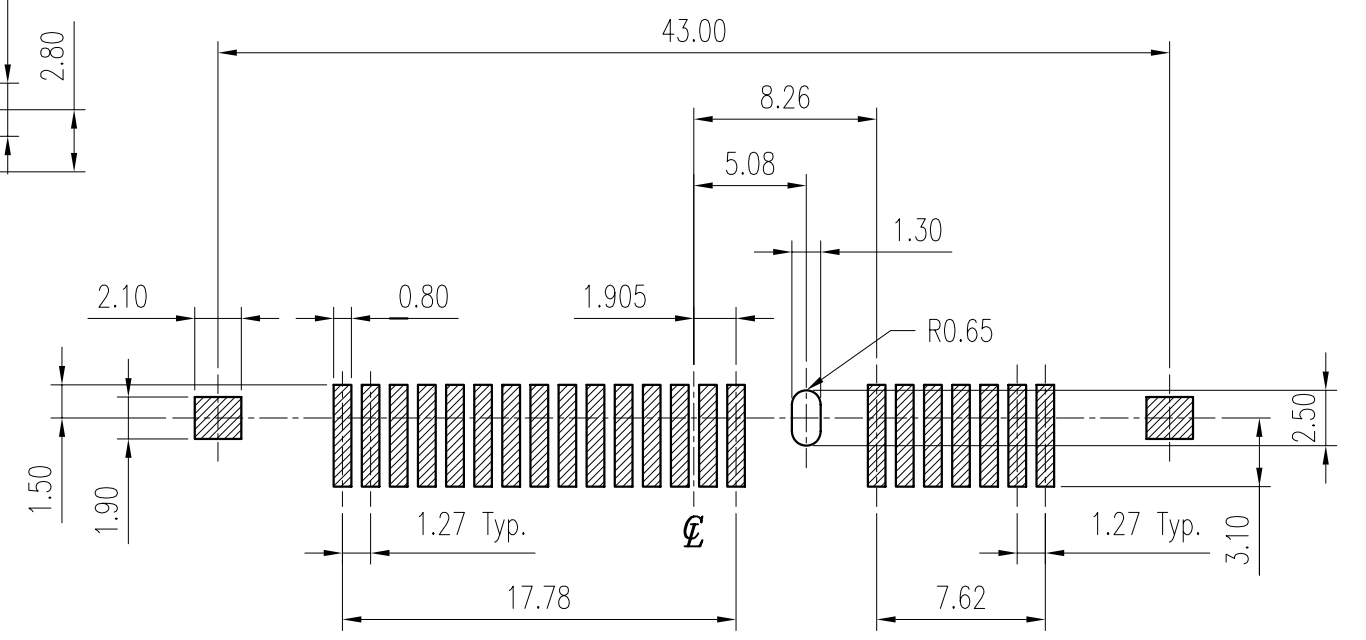
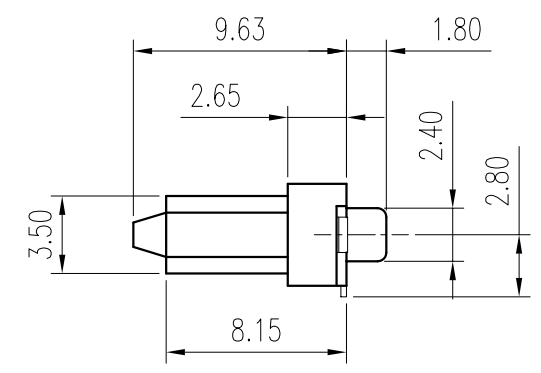
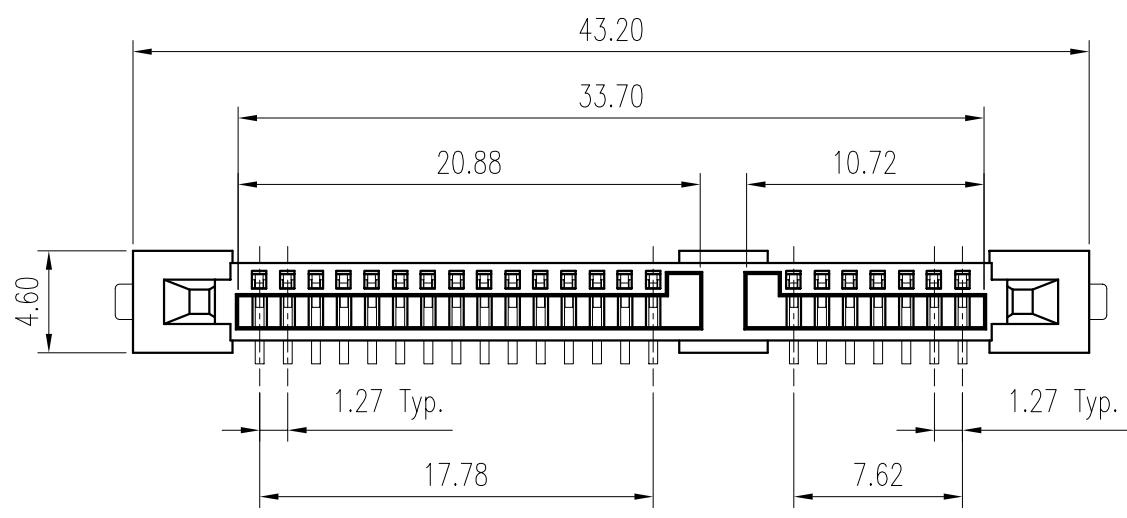
| REV. | DESCRIPTION | ECN NO. | DATE | DRAWER |
|------|-------------|---------|------------|--------|
| A | New Release | | 10/02/2006 | Aaron |



Notes:

- Material :
Housing : Thermoplastic UL 94V-0 , Black
Terminal : Copper Alloy
- Finish :
Terminal : Selected Gold on Contact Area, 1u"
Min. Gold on Solder Tails, Both over 50u" Min. Ni Under-plated Overall
- Order Information :
T BFO-01200-22T X
T : RoHS(for High Temperature)

Plating :
1 : 1u" Min. Gold on Contact Area
5 : 15u" Min. Gold on Contact Area



Recommended P.C.B. Layout
Layout Tolerance = ± 0.05 mm

| DIMENSION IN mm [inch] | | CEN 欣訊科技股份有限公司 CEN LINK CO., LTD. CUSTOMER DRAWING | Title 1.27 mm Pitch Serial ATA Conn. | | Scale: 2 : 1 Size: A 4 Rev : A Sheet: 1 / 1 |
|--------------------------------------|------------|--|---|-------------------------|--|
| Tolerance unless otherwise specified | | | Approver: _____ Checker: _____ Drawer: Aaron 10/02/2006 | Dwg No. TBFO-01200-22TX | |
| X. ± | X.* ± 10' | File No. P06013 | | | |
| X.X ± 0.38 | X.X* ± 5' | | | | |
| X.XX ± 0.25 | X.XX* ± 2' | | | | |
| X.XXX ± 0.13 | X.XXX* ± | | | | |