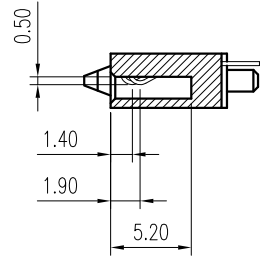
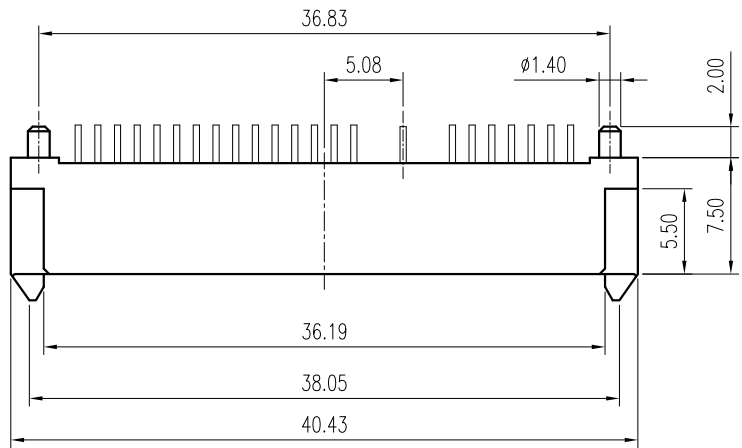


REV.	DESCRIPTION	ECN NO.	DATE	DRAWER
A	New Release		04/07/2008	Aaron



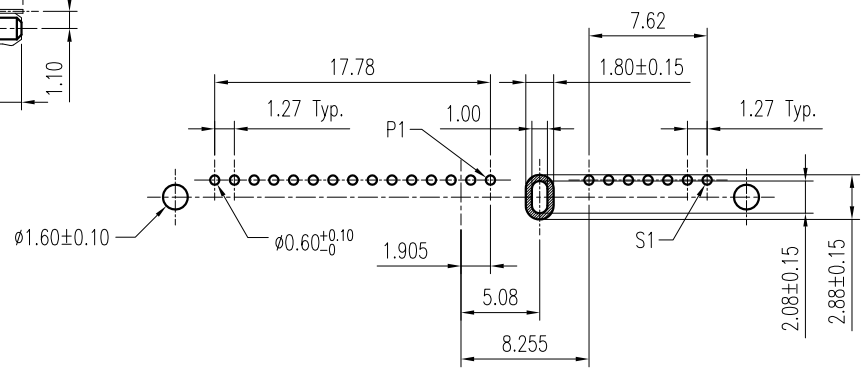
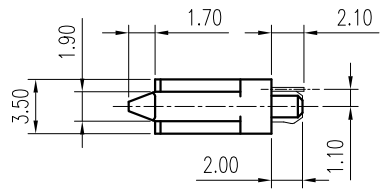
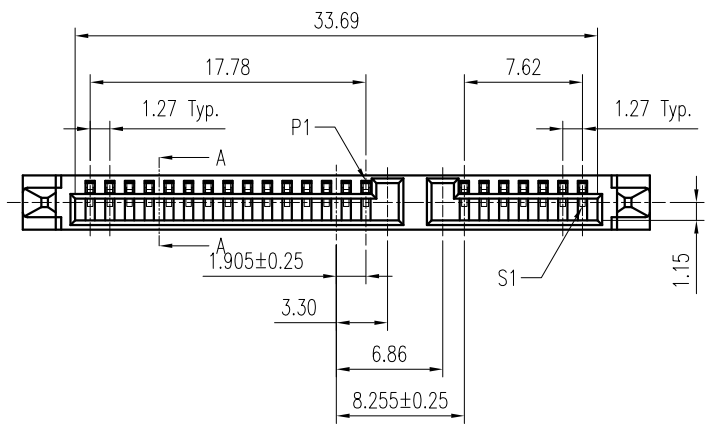
Section A-A

Notes:

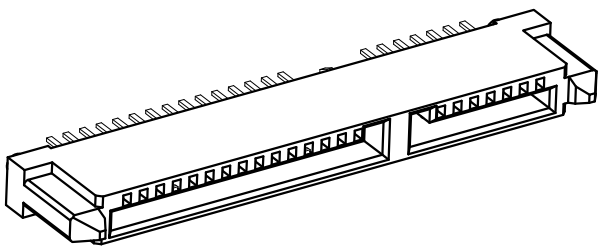
- Material :
Housing : Thermoplastic UL 94V-0 , Black
Terminal : Copper Alloy
Forklock : Copper Alloy
- Finish :
Terminal : Selected Gold on Contact Area, Gold Flash on Solder Tails, Both over 40u"
Min. Ni Under-plated Overall
Forklock : Gold Flash over 50u" Min. Ni Under-plated Overall
- Order Information :
T BFO-01100-00T X

T : RoHS(for High Temperature)

Plating
1 : 1u" Min. Gold on Contact Area
5 : 15u" Min. Gold on Contact Area



Recommended P.C.B. Layout
Layout Tolerance = ± 0.05 mm



DIMENSION IN mm [inch]			
Tolerance unless specified		otherwise specified	
X.	± 0.38	X.*	± 10'
X.X	± 0.38	X.X*	± 5'
X.XX	± 0.25	X.XX*	± 2'
X.XXX	± 0.13	X.XXX*	±

CEN 欣訊科技股份有限公司
CEN LINK CO., LTD.
CUSTOMER DRAWING

Title: SATA
Dwg No. TBFO-01100-00TX
File No. PO8010

Approver: _____ Checker: _____ Drawer: Aaron
04/07/2008

Scale: 3 : 1
Size: A 4
Rev : A
Sheet: 1 / 1