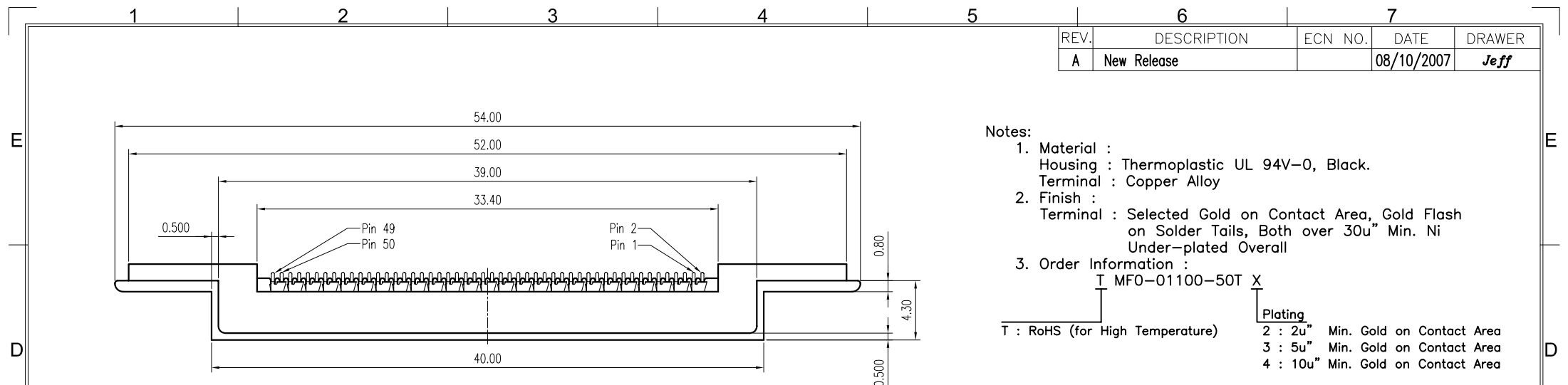
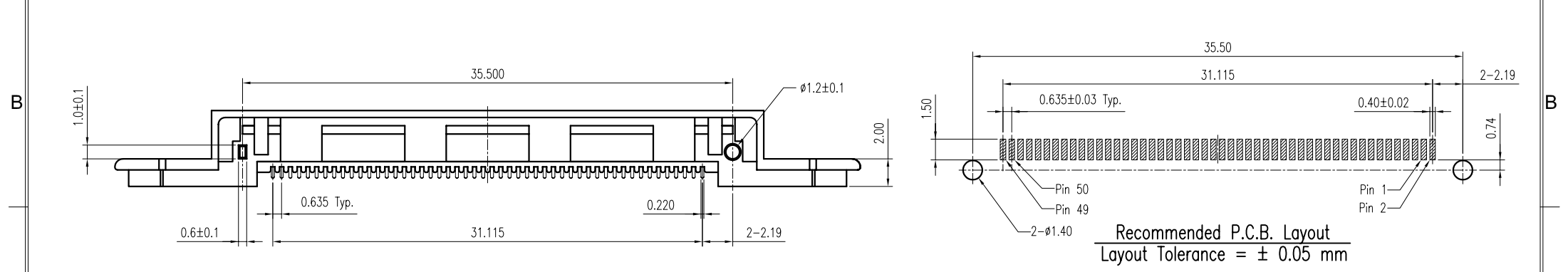
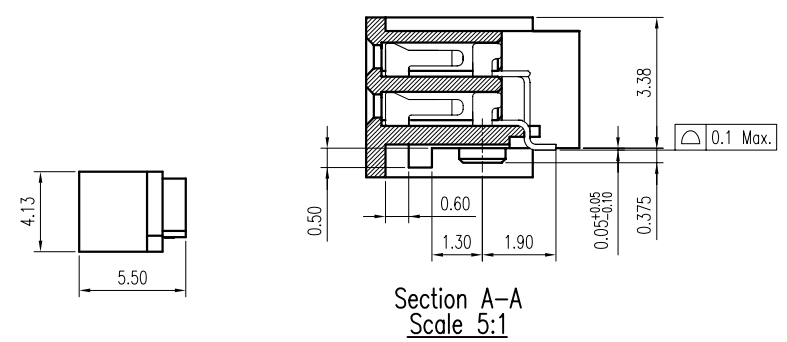
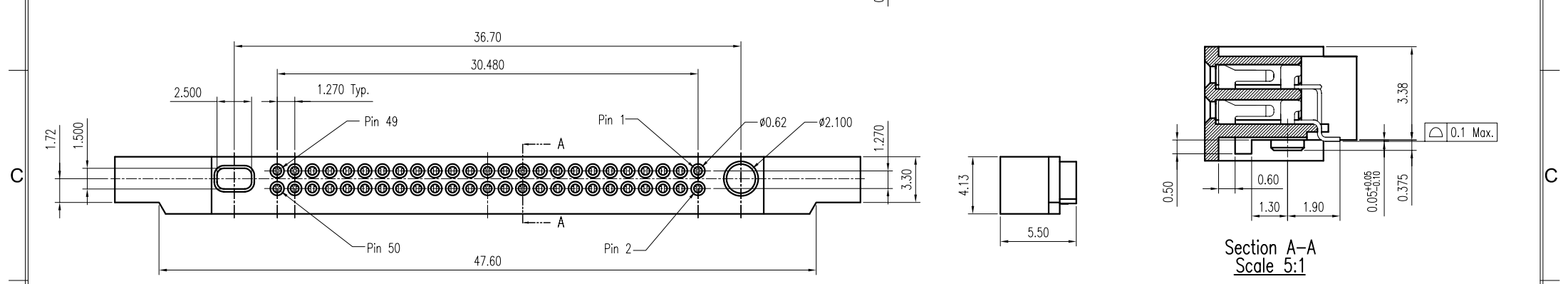


REV.	DESCRIPTION	ECN NO.	DATE	DRAWER
A	New Release		08/10/2007	Jeff



- Notes:
- Material :
Housing : Thermoplastic UL 94V-0, Black.
Terminal : Copper Alloy
 - Finish :
Terminal : Selected Gold on Contact Area, Gold Flash on Solder Tails, Both over 30u" Min. Ni Under-plated Overall
 - Order Information :
T MFO-01100-50T X
- T : RoHS (for High Temperature)
- Plating
 2 : 2u" Min. Gold on Contact Area
 3 : 5u" Min. Gold on Contact Area
 4 : 10u" Min. Gold on Contact Area



Recommended P.C.B. Layout
Layout Tolerance = ± 0.05 mm

DIMENSION IN mm [inch]		Title	Scale: 2.5 : 1
Tolerance unless otherwise specified			
X. ±	X.* ± 10'	1.27mm Pitch C.F. Conn. Female Type	Rev : A
X.X ± 0.38	X.X* ± 5'	MFO-01100-50TX	Sheet: 1 / 1
X.XX ± 0.25	X.XX* ± 2'	File No. PO7006	
X.XXX ± 0.15	X.XXX* ±	Approver:	Drawer: Jeff
		Checker:	08/10/2007

CEN 欣訊科技股份有限公司
CEN LINK CO., LTD.
CUSTOMER DRAWING

WC00-4B