

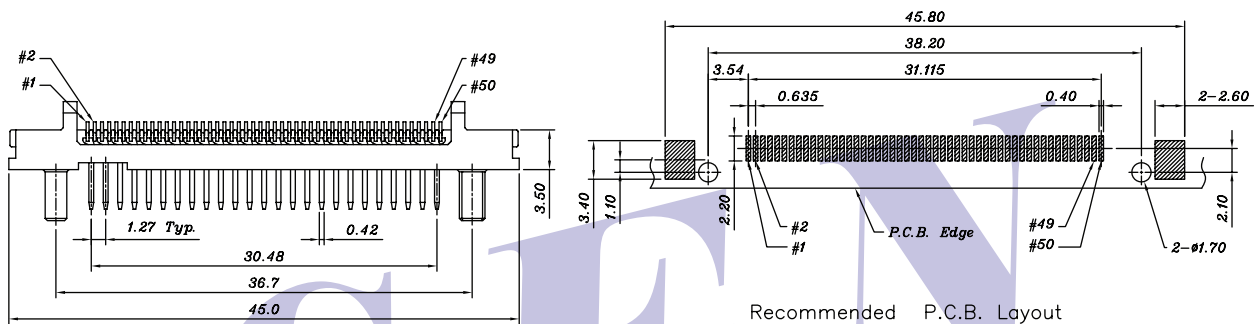
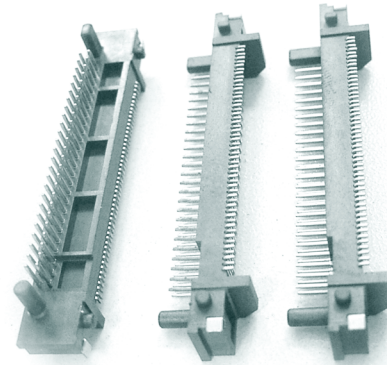


CF CARD CONNECTOR NORMAL 50PIN H.D. TYPE 6.7H

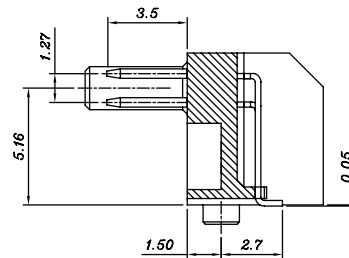
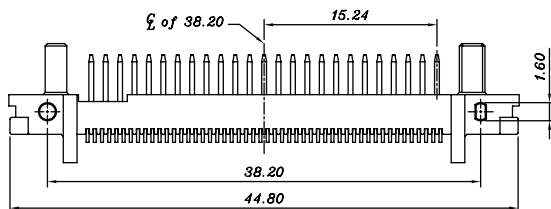
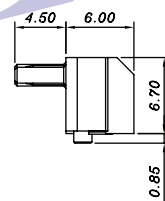
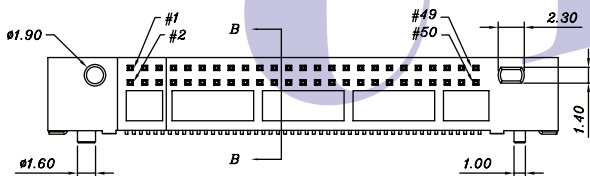
ORDER INFORMATION

TMF1-02231-32 $\frac{T}{a} \frac{4}{b}$

α =T-Tube
 b =4-10u" Gold on Contact Area G/F on Solder Tail



Recommended P.C.B. Layout
 Layout Tolerance = ± 0.05 mm



Section B-B