



SD MEMORY CARD CONNECTOR NORMAL TYPE

ORDER INFORMATION

TMB0-05491- $\frac{X}{a}$ 0 $\frac{X}{b}$ $\frac{X}{c}$

a =0-With Logo

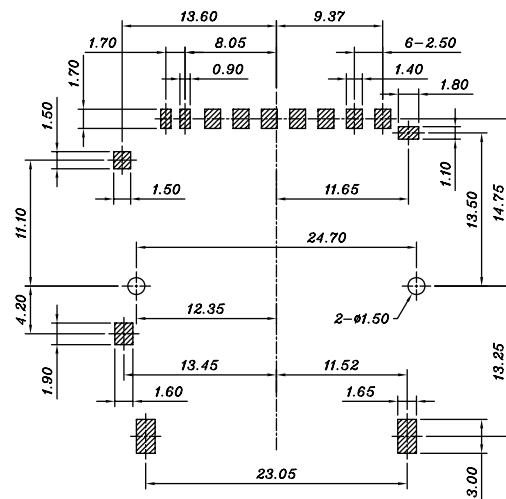
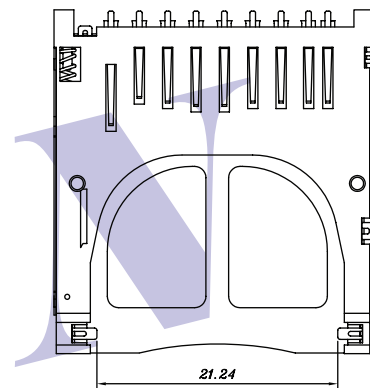
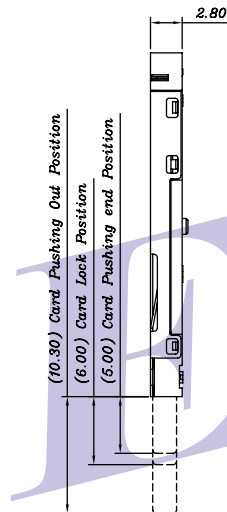
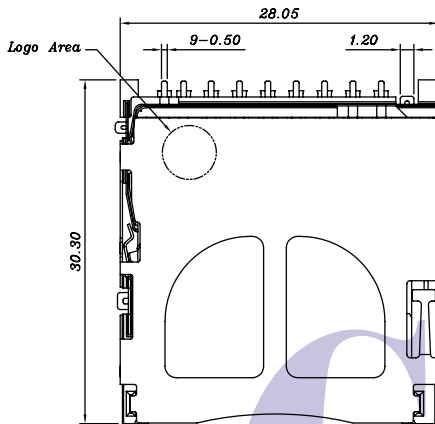
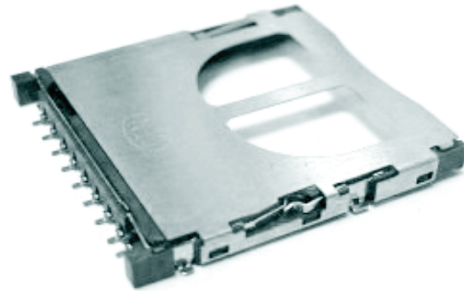
1-Without Logo

b =Y-Tray

c =4-10u" Gold on Contact Area G/F on Solder Tail

5-15u" Gold on Contact Area G/F on Solder Tail

8-30u" Gold on Contact Area G/F on Solder Tail



Recommended P.C.B. Layout
Layout Tolerance = ± 0.05 mm