

REV.	DESCRIPTION	ECN NO.	DATE	DRAWER
A	New Release		01/22/2007	Meill
B	ADD PINS	EC0705056	05/30/2007	Meill

Notes:

- Material :  
Housing : Thermoplastic UL 94V-0, Natural Color.  
Terminal : Copper Alloy
- Finish :  
Terminal : Selected Gold on Contact Area, Gold Flash on Solder Tails, Both over 30u" Min. Ni Under-plated Overall
- Order Information :

TBJ0-01100-XX X X

Pins

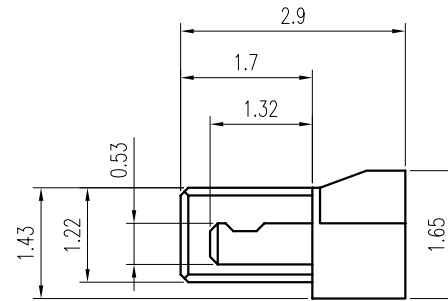
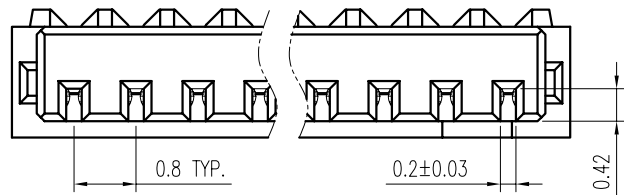
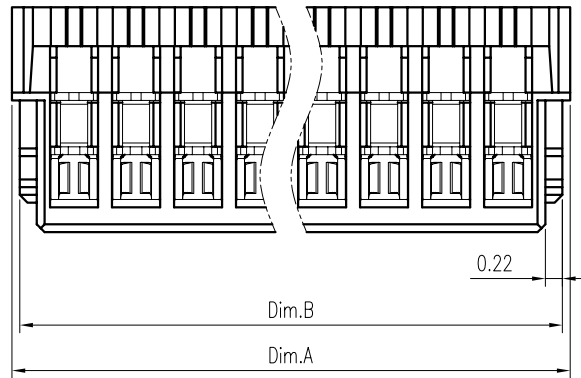
04 : 04pin  
?  
16 : 16pin

Plating

1 : Gold Flash on Contact Area  
3 : 5u" Min. Gold on Contact Area  
4 : 10u" Min. Gold on Contact Area

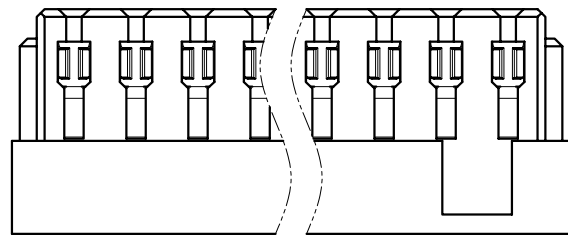
Packing

T: Tube  
B: Bag



Dimension Information:

Part No.	Dim.	Pins	Dim.A	Dim.B
TBJ0-01100-08XX		08	7.2	7.0
TBJ0-01100-10XX		10	8.8	8.6
TBJ0-01100-15XX		15	12.8	12.6



DIMENSION IN mm [inch]			
Tolerance unless otherwise specified			
X.	± 0.38	X.*	± 10'
X.X	± 0.20	X.X*	± 5'
X.XX	± 0.13	X.XX*	± 2'
X.XXX	±	X.XXX*	±

**CEN** 欣訊科技股份有限公司  
CEN LINK CO., LTD.  
CUSTOMER DRAWING

Title Wire to Board connector  
0.8 pitch Receptacle, Contact  
Dwg No. TBJ0-01100-XXXX  
File No. PO6018

Scale: 10 : 1  
Size: A 4  
Rev : B  
Sheet: 1 / 1

Approver:

Checker:

Drawer: Meill

05/30/2007