

REV.	DESCRIPTION	ECN NO.	DATE	DRAWER
B	Modified by Customer Design	EC0602024	02/22/2006	Kelly
C	Modified by Customer Design	EC0603037	03/20/2006	Kelly

Notes:

- Material :
Housing : Thermoplastic UL 94V-0 ,Black
Terminal : Copper Alloy
- Finish :
Terminal : Selected Gold on Contact Area, Gold Flash on Solder Tails, Both over 50u" Min. Ni Under-plated Overall
- Order Information :

X P91-015B1- XX X X

Z: RoHS(for High Temperature)
Y: RoHS

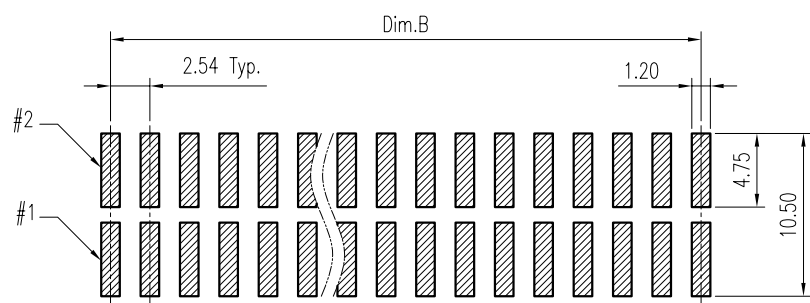
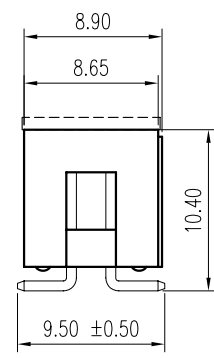
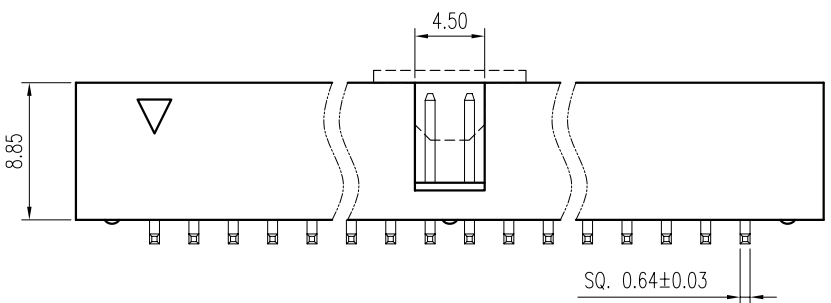
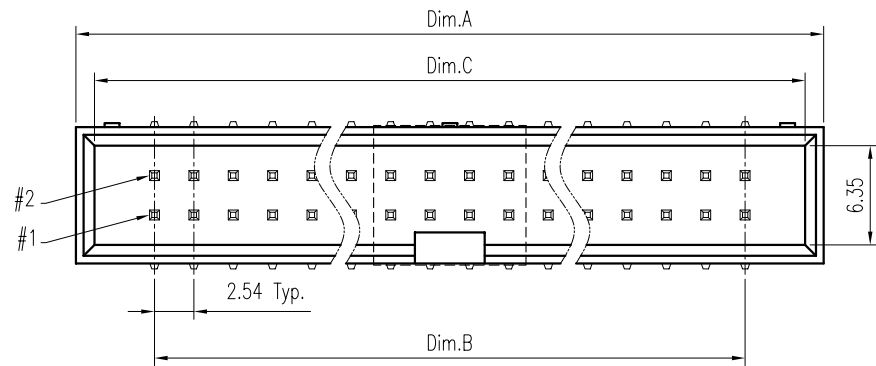
Amount of Pins:
08 : 8Pins
10 : 10Pins
12 : 12Pins
14 : 14Pins
16 : 16Pins
20 : 20Pins
24 : 24Pins
26 : 26Pins
30 : 30Pins
34 : 34Pins
40 : 40Pins
44 : 44Pins
50 : 50Pins
60 : 60Pins
64 : 64Pins

Packing Option:
Y : Tray
2 : Reel+Cap

Plating Option:
1 : G/F on Contact Area
8 : 30u" Min. Gold on Contact Area

Dimension Information:

Part No.	Dim.	Pos.	Dim.A	Dim.B	Dim.C
XP91-015B1-08XX	08		17.77	7.62	15.48
XP91-015B1-10XX	10		20.31	10.16	18.02
XP91-015B1-12XX	12		22.85	12.70	20.56
XP91-015B1-14XX	14		25.39	15.24	23.10
XP91-015B1-16XX	16		27.93	17.78	25.64
XP91-015B1-20XX	20		33.01	22.86	30.72
XP91-015B1-24XX	24		38.09	27.94	35.80
XP91-015B1-26XX	26		40.63	30.48	38.34
XP91-015B1-30XX	30		45.71	35.56	43.42
XP91-015B1-34XX	34		50.79	40.64	48.50
XP91-015B1-40XX	40		58.41	48.26	56.12
XP91-015B1-44XX	44		63.49	53.34	61.20
XP91-015B1-50XX	50		71.11	60.96	68.82
XP91-015B1-60XX	60		83.81	73.66	81.52
XP91-015B1-64XX	64		88.89	78.74	86.60



Recommended P.C.B. Layout
Layout Tolerance = ± 0.05 mm

DIMENSION IN mm [inch]	
Tolerance unless otherwise specified	
X.	X.* ± 10'
X.X ± 0.38	X.X' ± 5'
X.XX ± 0.25	X.XX' ± 2'
X.XXX ± 0.13	X.XXX' ±

CEN 欣訊科技股份有限公司
CEN LINK CO., LTD.
CUSTOMER DRAWING

Title: 2.54mm Pitch Box Header SMT Type
Dwg No. XP91-015B1-XXXX
File No.
Approver: _____
Checker: _____
Drawer: Kelly_*
03/20/2006

Scale: 2 : 1
Size: A 4
Rev : C
Sheet: 1 / 1