

REV.	DESCRIPTION	ECN NO.	DATE	DRAWER
A	New Release		10/11/2005	Kelly

Notes:

- Material :
Housing : Thermoplastic UL 94V-0 ,Black
Terminal : Copper Alloy
- Finish :
Terminal : G/F over Ni Under-plated Overall
- Order Information :

X P91-03 X B1- XX Y1

Z: RoHS(for High Temperature)

Y: RoHS

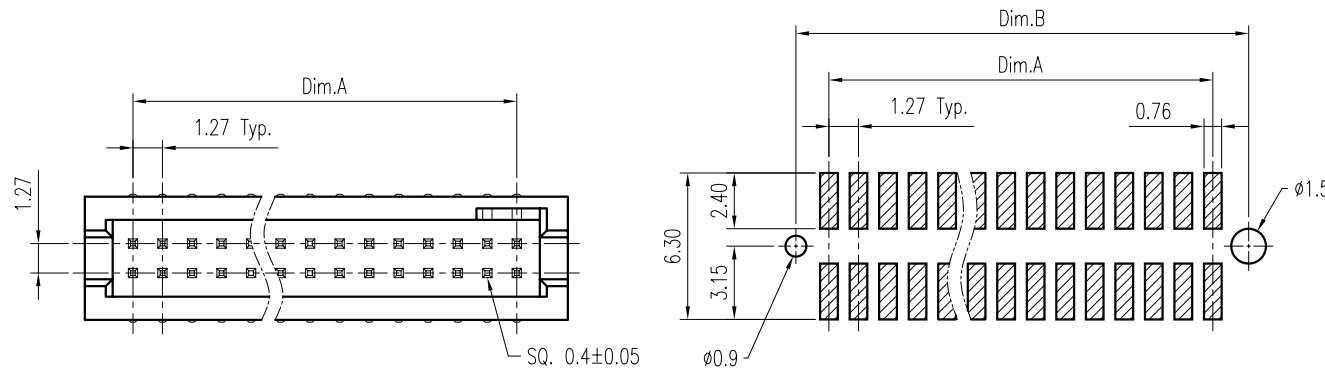
Blank: Unsuitable RoHS

Post Option:

5: Without Post

B: With Post

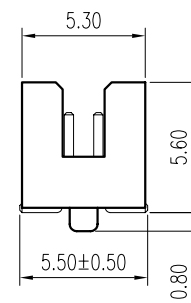
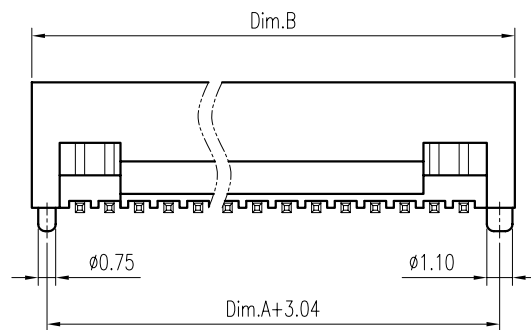
Amount of Pins:



Recommended P.C.B. Layout
Layout Tolerance = ± 0.05 mm

Dimension Information:

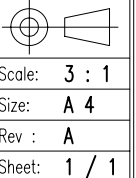
Part No.	Dim.	Pos.	Dim.A	Dim.B
XP91-03XB1-06Y1	06	2.54	6.80	
XP91-03XB1-10Y1	10	5.08	9.34	
XP91-03XB1-12Y1	12	6.35	10.16	
XP91-03XB1-14Y1	14	7.62	11.88	
XP91-03XB1-16Y1	16	8.89	13.15	
XP91-03XB1-20Y1	20	11.43	15.69	
XP91-03XB1-26Y1	26	15.24	19.50	
XP91-03XB1-30Y1	30	17.78	22.04	
XP91-03XB1-34Y1	34	20.32	24.58	
XP91-03XB1-40Y1	40	24.13	28.39	
XP91-03XB1-44Y1	44	26.67	29.66	
XP91-03XB1-50Y1	50	30.48	34.74	
XP91-03XB1-60Y1	60	36.83	41.09	
XP91-03XB1-64Y1	64	39.37	43.63	
XP91-03XB1-66Y1	66	40.64	44.90	
XP91-03XB1-68Y1	68	41.91	46.17	
XP91-03XB1-80Y1	80	49.53	53.79	
XP91-03XB1-A0Y1	100	62.23	66.49	



DIMENSION IN mm [inch]	
Tolerance unless otherwise specified	
X.	X.* ± 10'
X.X ± 0.38	X.X* ± 5'
X.XX ± 0.25	X.XX* ± 2'
X.XXX ± 0.13	X.XXX* ±

CEN 欣訊科技股份有限公司
CEN LINK CO., LTD.
CUSTOMER DRAWING

Title 1.27mm Pitch Box Header
SMD Type
Dwg No. XP91-03XB1-XXY1
File No.



Approver:

Checker:

Drawer: Kelly_*

10/11/2005

Sheet: 1 / 1