

5.08mm MINI JUMPER

ORDER INFORMATION

$\frac{X}{a}$ P91-13 $\frac{X}{b}$ M1- $\frac{0}{c}$ 3 $\frac{B}{d}$ $\frac{1}{e}$

a =Y-RoHS

Z-RoHS(for High Temperature)

b =Material Option:

1-Brass

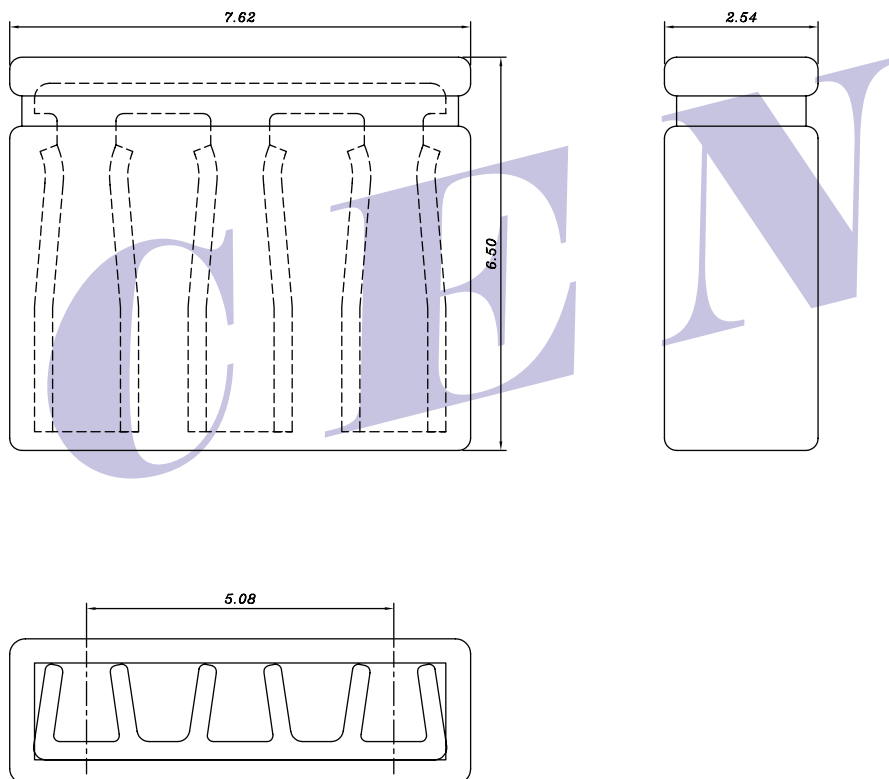
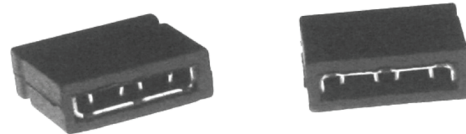
2-Phosphor Bronze

c =Color Option:

0-Black

d =B-Bag

e =1-G/F Overall



SPECIFICATION

Current Rating : 3A

Contact Resistance : 20m Ohms Max.

Dielectric Withstanding : AC 500V

Operating Temperature : -40° C ~ 105° C

Note: Due to technical progress, all design, specification and components are subject to change without notice