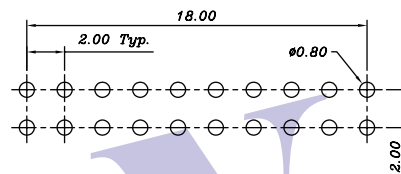
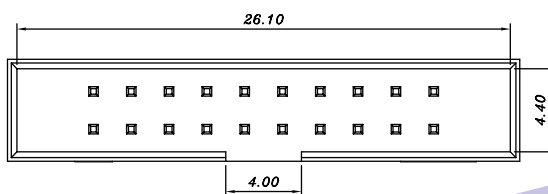
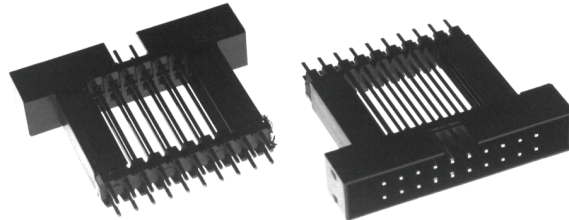


2.0mm BOX HEADER S/T STACK TYPE WITH CAP

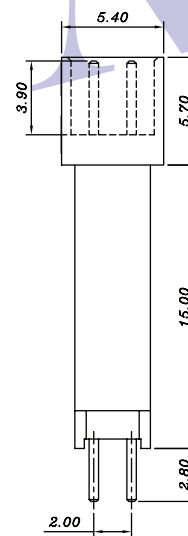
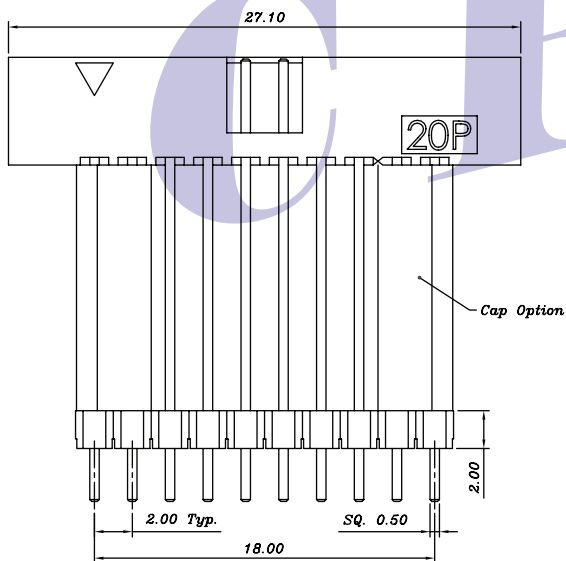
ORDER INFORMATION

$\frac{X}{a} P91-024B1 - \frac{20}{b} \frac{X}{c} \frac{1}{d}$

- a =Y-RoHS
Z-RoHS(for High Temperature)
- b =Amount of Pins:20-20Pins
- c =T-Tube
1-Tube+Cap
5-Bag+Cap
- d =1-G/F Overall



Recommended P.C.B. Layout
Layout Tolerance = ± 0.05 mm



SPECIFICATION

- Current Rating : 1A
- Dielectric Withstanding : AC 500V
- Operating Temperature : $-40^{\circ}C \sim 105^{\circ}C$

Note: Due to technical progress, all design, specification and components are subject to change without notice