

REV.	DESCRIPTION	ECN NO.	DATE	DRAWER
A	New Release		05/04/2006	Aaron

Notes:

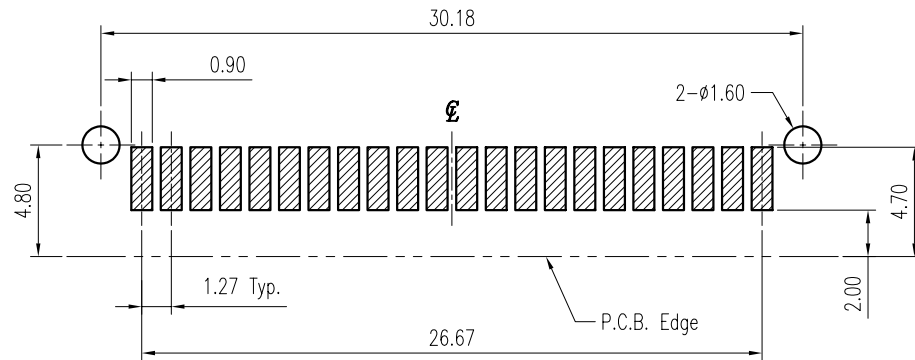
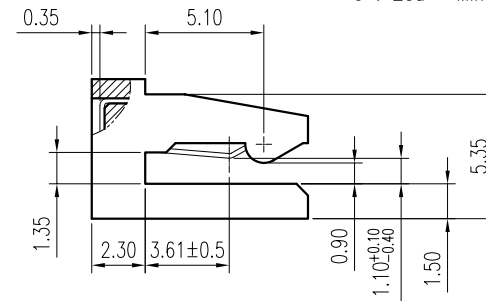
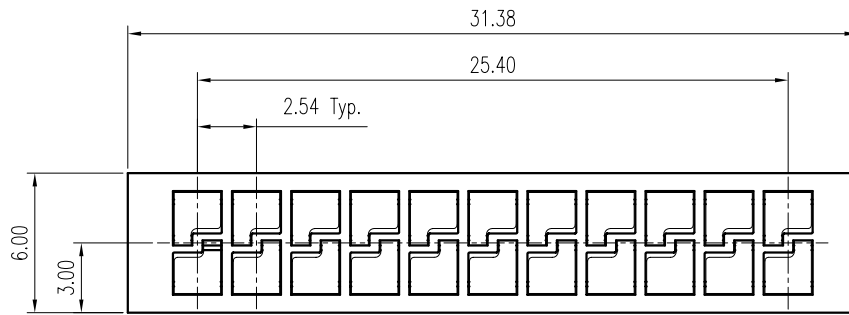
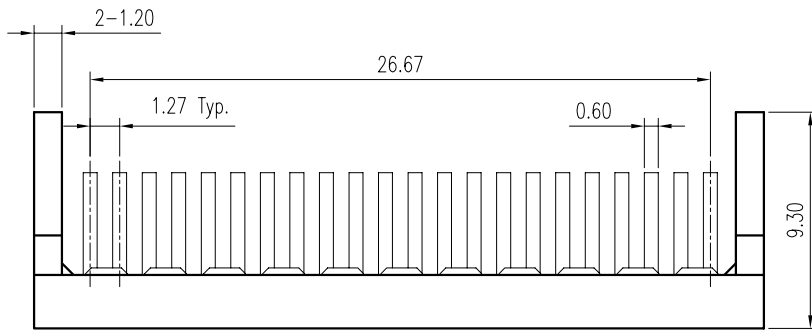
- Material :  
Housing : Thermoplastic UL 94V-0 , Black  
Terminal : Copper Alloy
- Finish :  
Terminal : Selected Gold on Contact Area, Gold Flash on Solder Tails, Both over 50u" Min. Ni Under-plated Overall

3. Order Information :

T SFO-01300-22T X  
T : RoHS(for High Temperature)

Plating :

- 1 : 1u" Min. Gold on Contact Area
- 2 : 3u" Min. Gold on Contact Area
- 3 : 5u" Min. Gold on Contact Area
- 4 : 10u" Min. Gold on Contact Area
- 5 : 15u" Min. Gold on Contact Area
- 6 : 20u" Min. Gold on Contact Area



Recommended P.C.B. Layout  
Layout Tolerance = ± 0.05 mm

DIMENSION IN mm [inch]	
Tolerance unless otherwise specified	
X.	X.* ± 10'
X.X ± 0.38	X.X* ± 5'
X.XX ± 0.25	X.XX* ± 2'
X.XXX ± 0.13	X.XXX* ±

**CEN** 欣訊科技股份有限公司  
CEN LINK CO., LTD.  
CUSTOMER DRAWING

Title Lock Board Battery Conn.  
One Side SMT Type  
Dwg No. TSFO-01300-22TX  
File No. PO2004

Scale: 3 : 1  
Size: A 4  
Rev : A  
Sheet: 1 / 1

Approver:

Checker:

Drawer: **Aaron**

05/04/2006