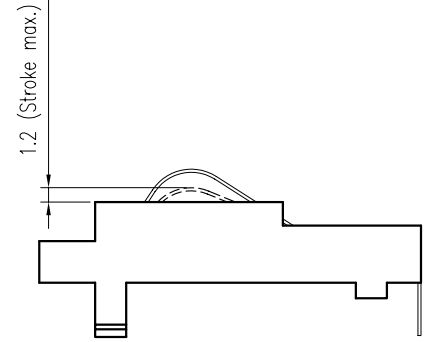
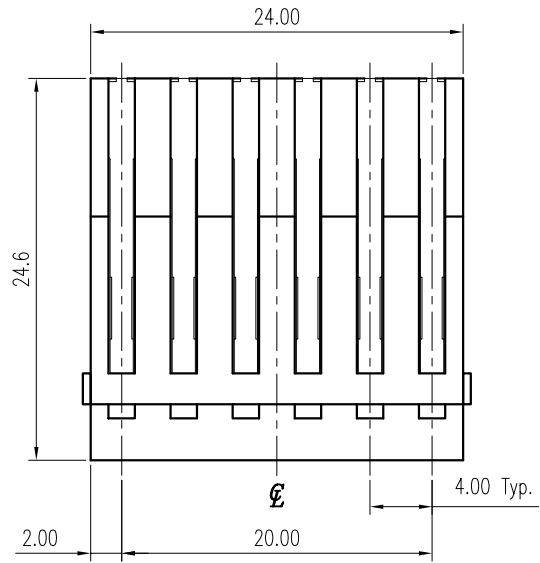
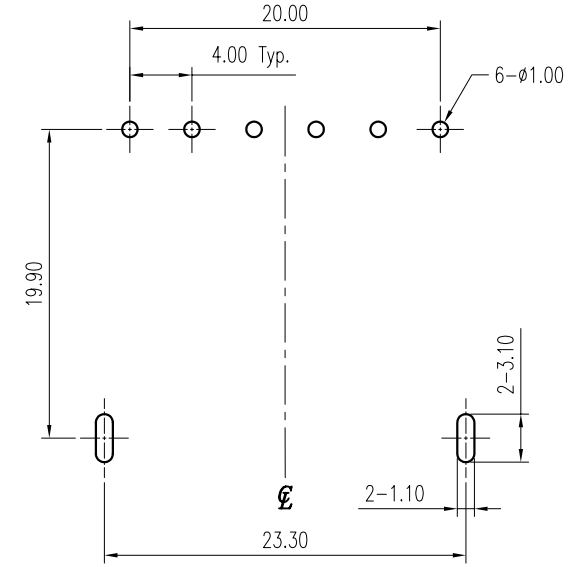
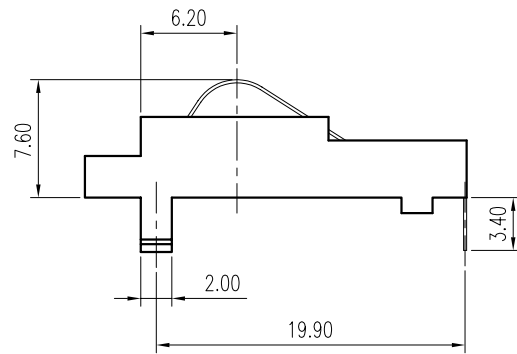
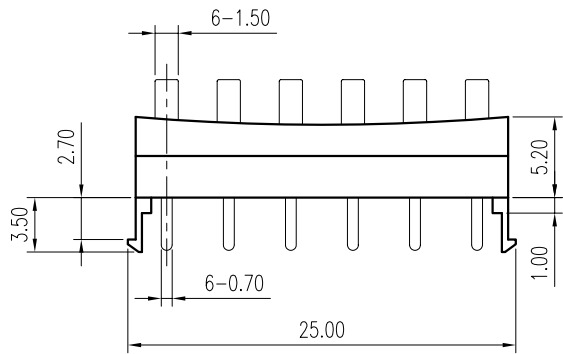


REV.	DESCRIPTION	ECN NO.	DATE	DRAWER
A	New Release		04/06/2004	Kelly
B	Modified Part Number	EC0601006	01/05/2006	Aaron



Notes:

- Material :
Housing : Thermoplastic UL 94V-0 , Black
Terminal : Copper Alloy
- Finish :
Terminal : 2u"Min. Gold on Contact Area, Gold Flash on Solder Tails, Both over 50u" Min. Ni Under-plated Overall
- Order Information :
TSC0-01106-00Y2
T : RoHS(for High Temperature)



Recommended P.C.B. Layout
Layout Tolerance = ± 0.05 mm

DIMENSION IN mm [inch]		CEN 欣訊科技股份有限公司 CEN LINK CO., LTD.	Title 4.0mm Battery Conn. Female Series		
Tolerance unless otherwise specified			Dwg No. TSC0-01106-00Y2	File No. PO5013	
X.	X.* ± 10'	CUSTOMER DRAWING	Approver:		Scale: 2 : 1
X.X ± 0.38	X.X* ± 5'		Checker:		Size: A 4
X.XX ± 0.25	X.XX* ± 2'		Drawer: Aaron		Rev : B
X.XXX ± 0.13	X.XXX* ±		01/05/2006		Sheet: 1 / 1