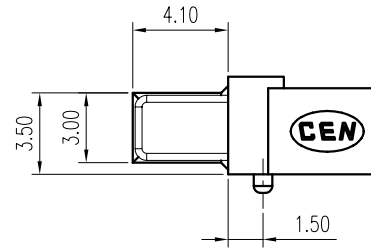
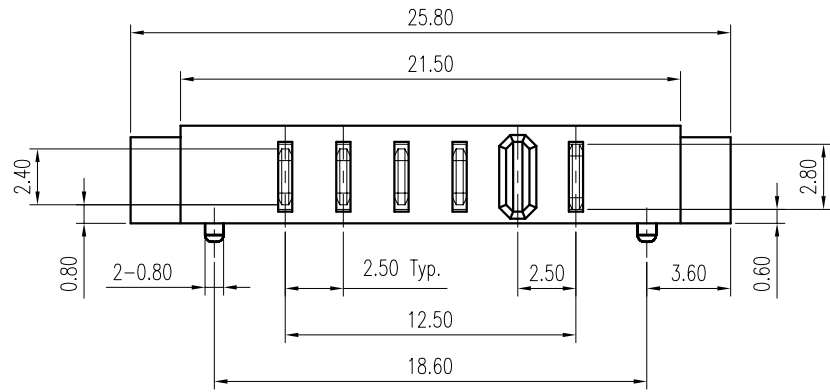


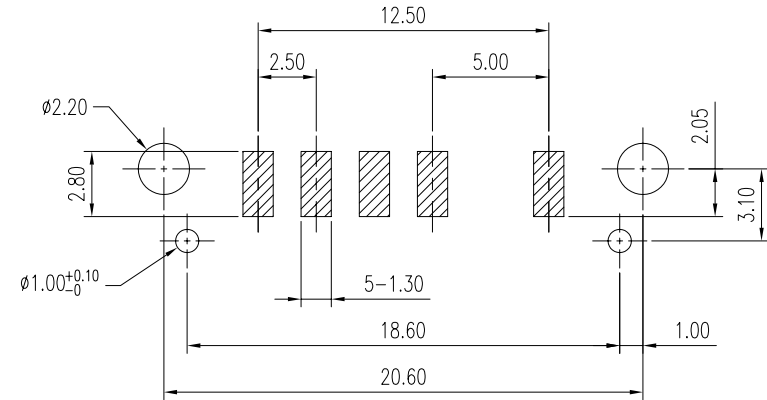
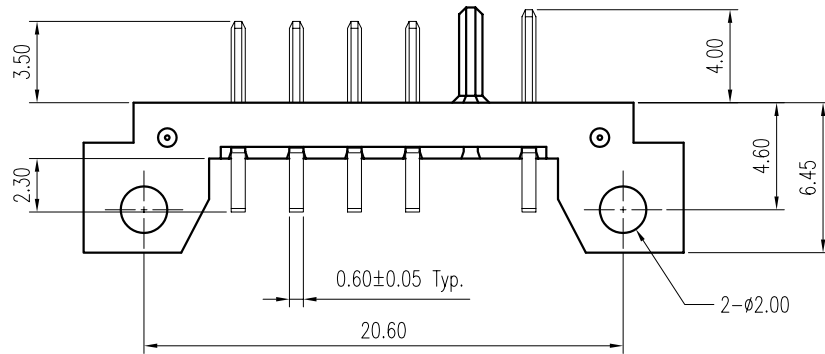
REV.	DESCRIPTION	ECN NO.	DATE	DRAWER
A	New Release		08/23/2007	Alan



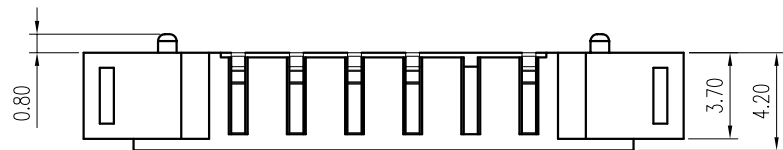
Notes:

- Material :
Housing : Thermoplastic UL 94V-0, Black
Terminal : Copper Alloy
- Finish :
Terminal : Selected Gold on Contact Area, Gold Flash on Solder Tails, Both over 50u" Min. Ni Under-plated Overall
- Order Information :
TSB1-14150-02T X

Plating
2 : 2u" Min. Gold on Contact Area
3 : 5u" Min. Gold on Contact Area



Recommended P.C.B. Layout
Layout Tolerance = ± 0.05 mm



DIMENSION IN mm [inch]	
Tolerance unless otherwise specified	
X. ±	X.* ± 10'
X.X ± 0.38	X.X* ± 5'
X.XX ± 0.25	X.XX* ± 2'
X.XXX ± 0.13	X.XXX* ±

CEN 欣訊科技股份有限公司
CEN LINK CO., LTD.
CUSTOMER DRAWING

Title 2.5mm Pitch Battery Conn.
Male Type
Dwg No. TSB1-14150-02TX
File No. PO7008

Approver:

Checker:

Drawer: Alan

08/23/2007

Scale: 3 : 1
Size: A 4
Rev : A
Sheet: 1 / 1