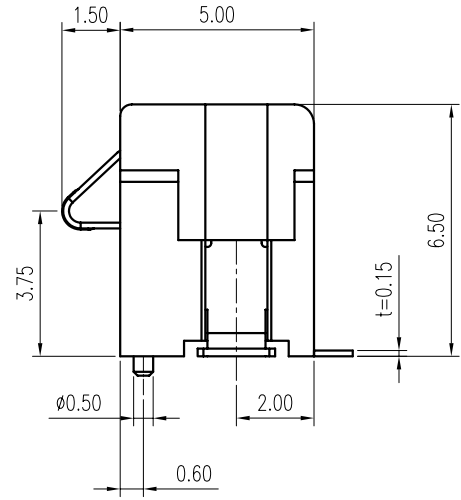
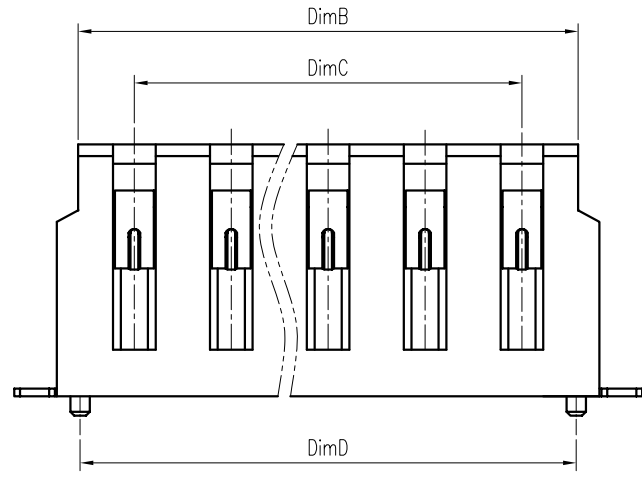
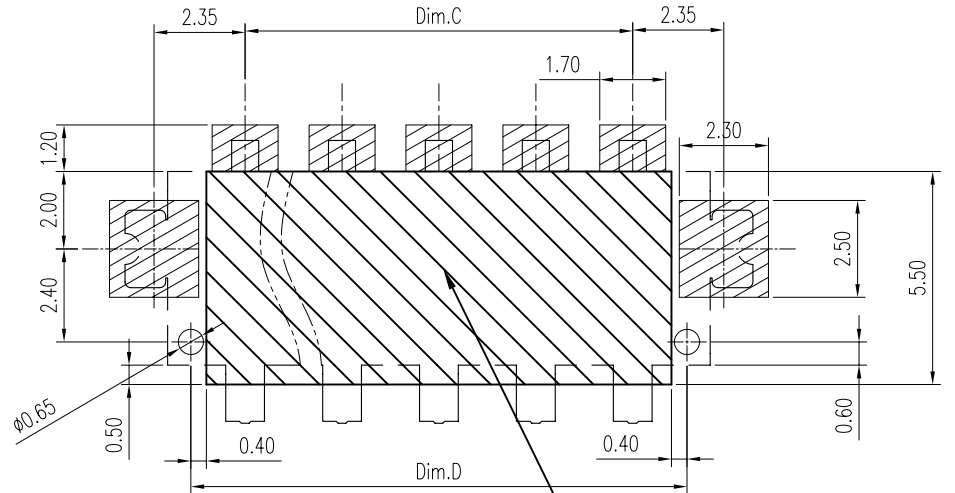
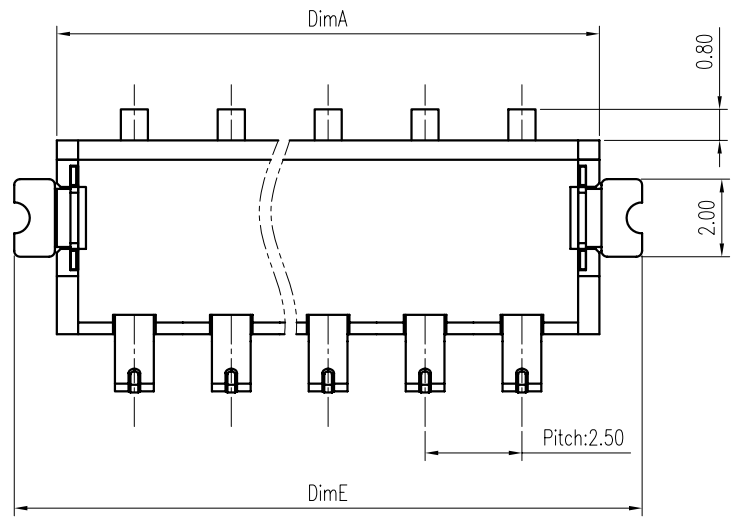



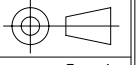
REV.	DESCRIPTION	ECN NO.	DATE	DRAWER
A	New Release		06/20/2007	Gear



- Notes:
- Material :
Housing : Thermoplastic UL 94V-0 , Black
Terminal : Copper Alloy
Latch : Copper Alloy
 - Finish :
Terminal : Selected Gold on Contact Area, Gold Flash on Solder Tails, Both over 50u" Min. Ni Under-plated Overall
Latch : Tin Plating overall 50u" Min., Nickel 50u" Min. Under-plated Overall.
 - Order Information :
T SB1-131 X 0-00T X
- | | |
|----------------|-------------------------------------|
| Amount of Pins | Plating |
| 3 : 3 Pins | 1 : Gold Flash on Contact Area. |
| 5 : 5 Pins | 2 : 2u" Min. Gold on Contact Area. |
| 8 : 8 Pins | 3 : 5u" Min. Gold on Contact Area. |
| | 5 : 15u" Min. Gold on Contact Area. |
| | 8 : 30u" Min. Gold on Contact Area. |

Dimension Information:

Part No.	Dim.	Dim.A	Dim.B	Dim.C	Dim.D	Dim.E
TSB1-13130-00TX		9.00	7.90	5.00	7.80	11.20
TSB1-13140-00TX		11.50	10.40	7.50	10.30	13.70
TSB1-13150-00TX		14.00	12.90	10.00	12.80	16.20
TSB1-13160-00TX		16.50	15.40	12.50	15.30	18.70
TSB1-13170-00TX		19.00	17.90	15.00	17.80	21.20
TSB1-13180-00TX		21.50	20.40	17.50	20.30	23.70

DIMENSION IN mm [inch] Tolerance unless otherwise specified		 欣訊科技股份有限公司 CEN LINK CO., LTD. CUSTOMER DRAWING	Title 2.5mm Pitch Battery Conn. Male Type	
X. ± 0.30	X.* ± 10'		Dwg No. TSB1-131X0-00TX	
X.X ± 0.20	X.X* ± 5'	Approver:	File No. P07005	Size: A 4
X.XX ± 0.15	X.XX* ± 2'	Checker:	Drawer: Gear	Rev: A
X.XXX ±	X.XXX* ±		06/20/2007	Sheet: 1 / 1