

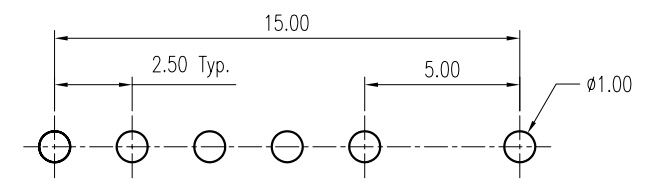
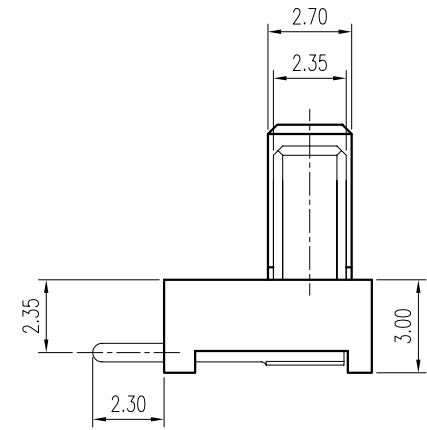
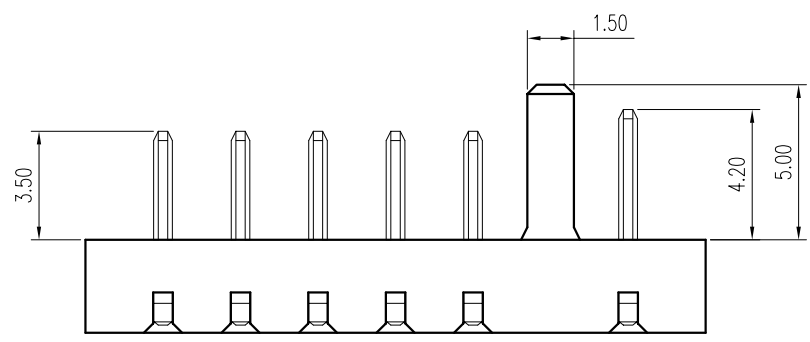
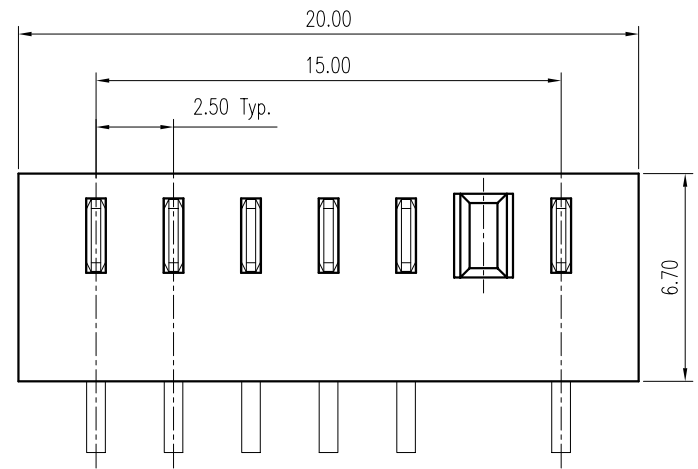
REV.	DESCRIPTION	ECN NO.	DATE	DRAWER
A	New Release		07/07/2006	Aaron

Notes:

- Material :
Housing : Thermoplastic UL 94V-0 , Black
Terminal : Copper Alloy
- Finish :
Terminal : Selected Gold on Contact Area, 1u" Min.
Gold on Solder Tails, Both over 50u" Min.
Ni Under-plated Overall

3. Order Information :
T SB1-12160-02T X
T : RoHS(for High Temperature)

Plating
2 : 2u" Min. Gold on Contact Area
3 : 5u" Min. Gold on Contact Area



Recommended P.C.B. Layout
Layout Tolerance = ± 0.05 mm

DIMENSION IN mm [inch]		CEN 欣訊科技股份有限公司 CEN LINK CO., LTD.	Title 2.5mm Pitch Battery Conn. Male Type		
Tolerance unless otherwise specified			Dwg No. TSB1-12160-02TX	Scale: 4 : 1	
X.	\pm --	X.*	\pm 10'	File No. PO6012 <td>Size: A 4</td>	Size: A 4
X.X	\pm 0.38	X.X*	\pm 5'	Approver:	Rev : A
X.XX	\pm 0.25	X.XX*	\pm 2'	Checker:	Drawer: Aaron
X.XXX	\pm 0.13	X.XXX*	\pm		07/07/2006
					Sheet: 1 / 1