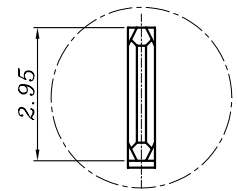
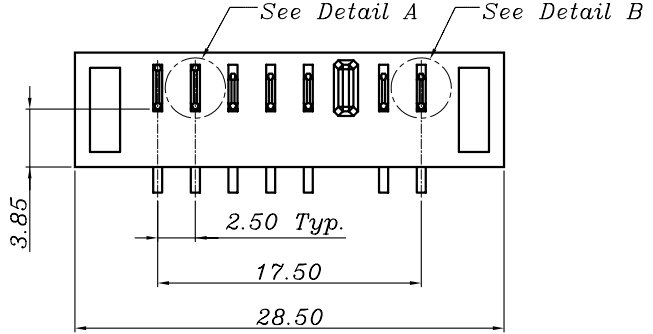
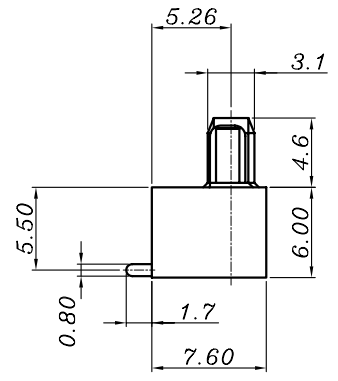
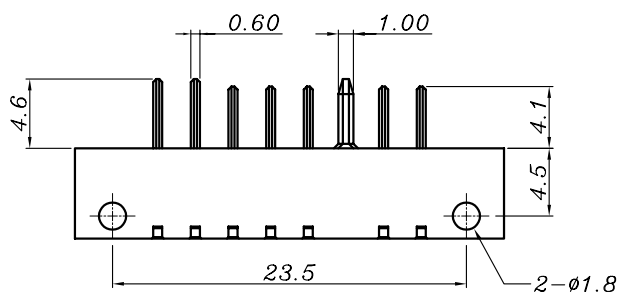


REV	MODIFICATION	DATE	DRAW	APPROVE
A	New Release	10/05/2004	Alan	Giordano



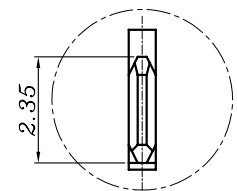
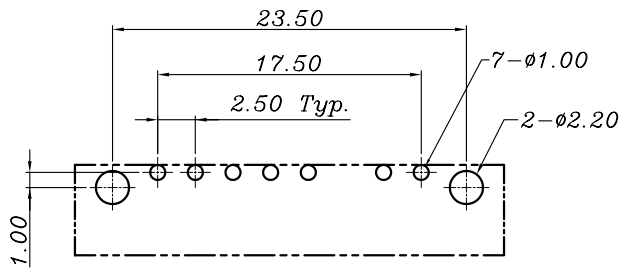
Detail A
Scale 6:1



Notes:

- Material:
Terminal: Copper Alloy
Hosing: Thermoplastic UL 94V-0
- Finish:
Terminal:
Selected Gold On Contact Area,
Gold Flash on Solder Tails, Both Over 50u" Min. Ni under-plated Overall
- Order Informations:
TSB1-11370-06T X

Plating Options:
02: 2u" Gold
03: 5u" Gold



Detail B
Scale 6:1

Recommended P.C.B. Layout
Layout Tolerance = ±0.05mm

DIMENSION IN mm [inch]	
Tolerance unless otherwise specified	
X. ± 0.38	X.' ± 10'
X.X ± 0.25	X.X' ± 5'
X.XX ± 0.13	X.XX' ± 2'
X.XXX ±	

CEN 欣訊科技股份有限公司
CEN LINK CO., LTD.

Title **2.5mm Pitch Battery Conn. Male with NUT**

CUSTOMER DRAWING

Dwg No. **TSB1-11370-06T0** Scale: **2:1**
File No. Size: **A4**

Approve: _____ Check: _____ Draw: **Alan** Rev: **A**
10/05/2004 Sheet: **1/1**