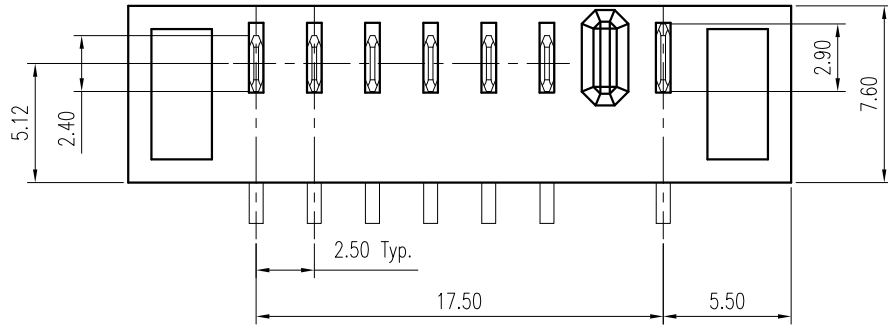


REV.	DESCRIPTION	ECN NO.	DATE	DRAWER
A	New Release		10/18/2007	Aaron

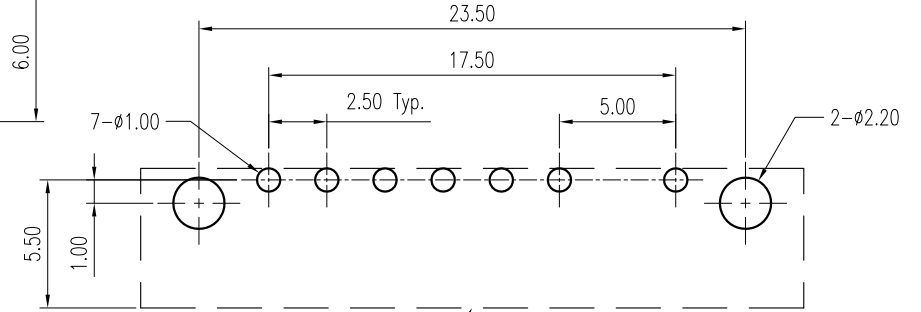
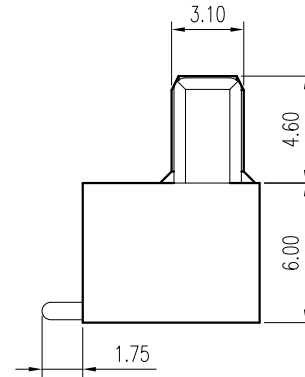
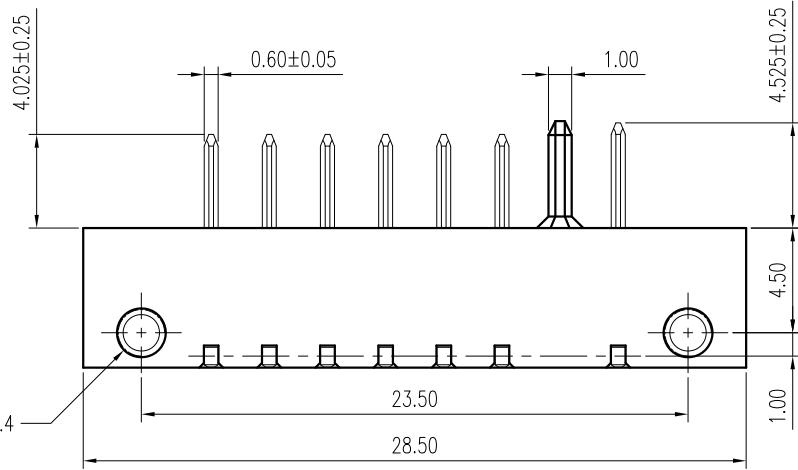


Notes:

- Material :
Housing : Thermoplastic UL 94V-0 , Black
Terminal : Copper Alloy
Nut : Copper Alloy
- Finish :
Terminal : Selected Gold on Contact Area, Gold Flash on Solder Tails, Both over 50u" Min. Ni Under-plated Overall
Nut : 40u" Min. Ni Overall
- Order Information :
T SB1-11170-02T X
T : RoHS(for High Temperature)

Plating

- 3u" Min. Gold on Contact Area
- 5u" Min. Gold on Contact Area



Recommended P.C.B. Layout
Layout Tolerance = ± 0.05 mm

DIMENSION IN mm [inch]		CEN 欣訊科技股份有限公司 CEN LINK CO., LTD.	Title 2.5mm Pitch Battery Conn. Male Type		Scale: 3 : 1			
Tolerance unless otherwise specified			Dwg No. TSB1-11170-02TX	File No. PO4013		Size: A 4		
X.	± 0.38	X.*	± 10'	Approver:	Checker:	Drawer: Aaron	Rev : A	
X.X	± 0.38	X.X*	± 5'				10/18/2007	Sheet: 1 / 1
X.XX	± 0.25	X.XX*	± 2'					
X.XXX	± 0.13	X.XXX*	±					