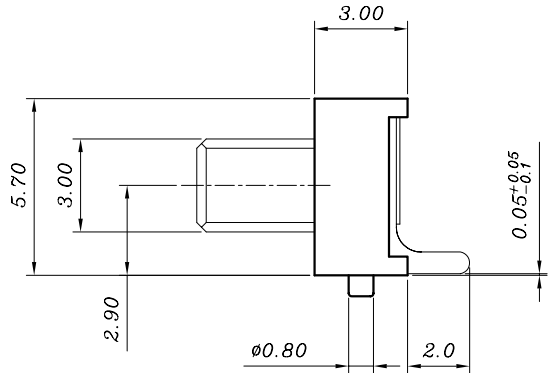
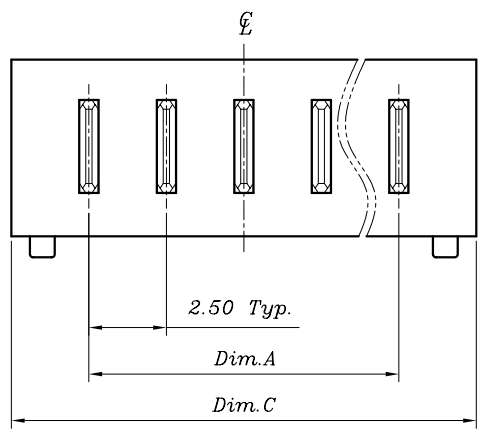


REV	MODIFICATION	DATE	DRAW	APPROVE
A	New Release	05/03/2005	Tom	Giordano

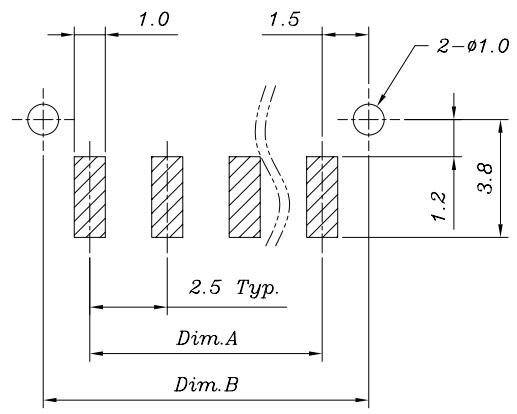
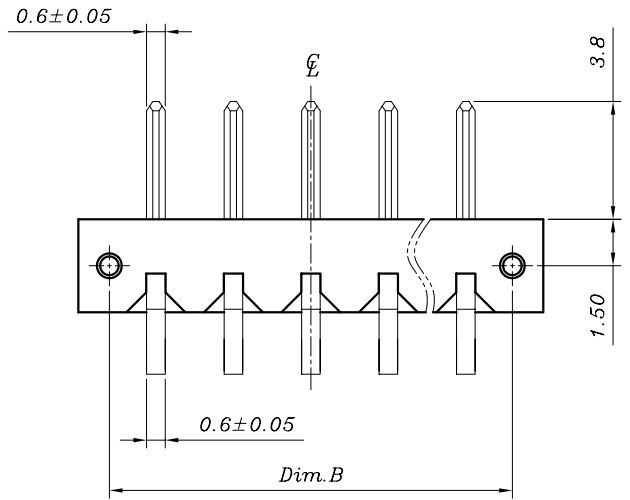


**Notes :**

- Material :**  
Housing : Thermoplastic , UL 94V-0.  
Terminal : Copper Alloy
- Finish :**  
Terminal : Selected Gold on Contact Area, Gold Flash on Solder Tails, Both Over 40u" Min.  
Ni Under-plated Overall.
- Terminal Coplanarity :** 0.12 mm Max.
- Order Information**

TSB1-080 X 1-07T X

Amount of Pins	Plating
3 : 3 Pins	2 : 2u" Gold
2 : 2 Pins	3 : 5u" Gold
9 : 9 Pins	
A : 10 Pins	



**Recommended P.C.B. Layout**  
Layout Tolerance = ± 0.05 mm

Part No.	Dim.	Dim.A	Dim.B	Dim.C
* TSB1-08031-07TX	5.00	8.00	10.00	
TSB1-08041-07TX	7.50	10.50	12.50	
TSB1-08051-07TX	10.00	13.00	15.00	
TSB1-08061-07TX	12.50	15.50	17.50	
TSB1-08071-07TX	15.00	18.00	20.00	
TSB1-08081-07TX	17.50	20.50	22.50	
TSB1-08091-07TX	20.00	23.00	25.00	
TSB1-080A1-07TX	22.50	25.50	27.50	

(\* : Mass Product)

DIMENSION IN mm [inch]		欣訊科技股份有限公司 CEN LINK CO., LTD.	Title <b>Pitch 2.5mm Battery Conn. Male Type</b>		
Tolerance unless otherwise specified			Dwg No. <b>TSB1-08001-07T0</b>		
X. ± 0.38	X.' ± 10'	CUSTOMER DRAWING		File No. <b>P04010</b>	
X.X ± 0.30	X.X' ± 5'			Rev : <b>A</b>	
X.XX ± 0.20	X.XX' ± 2'	Approve:	Check:	Draw: <b>Tom</b>	Sheet: <b>1 / 1</b>
X.XXX ±				<b>05/03/2005</b>	