

REV.	DESCRIPTION	ECN NO.	DATE	DRAWER
A	New Release		07/13/2006	Aaron
B	Modified by Amount of Pins	EC0705053	05/28/2007	Aaron

Notes:

- Material :
Housing : Thermoplastic UL 94V-0
Terminal : Copper Alloy
- Finish :
Terminal : Selected Gold on Contact Area, Gold Flash on Solder Tails, Both over 50u" Min. Ni Under-plated Overall

3. Order Information :

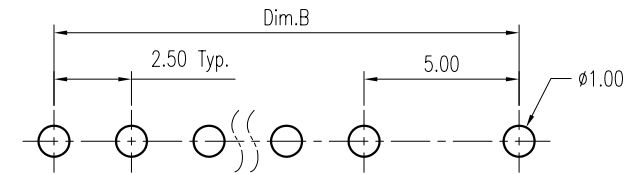
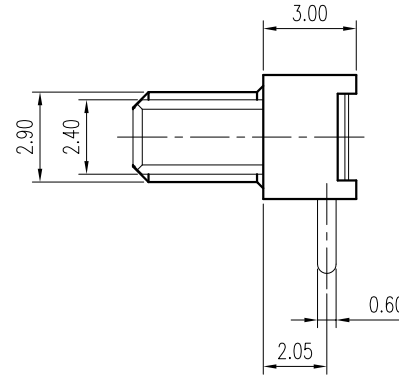
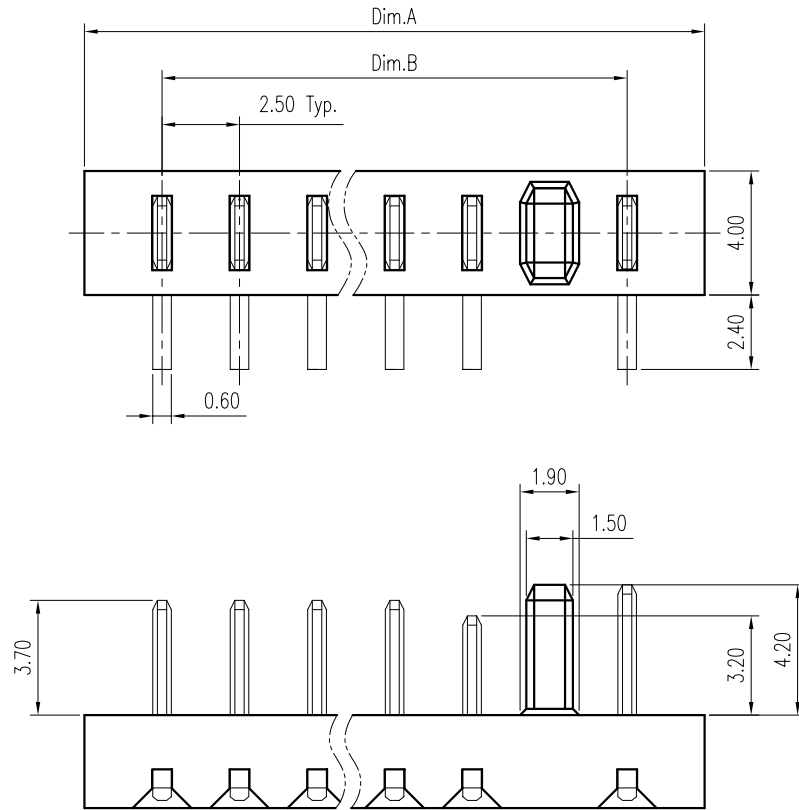
SB1-071 X 0-4BT X
T : RoHS(for High Temperature)

Amount of Pins :

- 3 : 3 Pins
- ?
- 8 : 8 Pins

Plating :

- 2 : 2u" Min. Gold on Contact Area
- 3 : 5u" Min. Gold on Contact Area



Recommended P.C.B. Layout
Layout Tolerance = ± 0.05 mm

Dimension Information:

Part No.	Dim.	Amount of Pins	Dim.A	Dim.B
TSB1-07130-4BTX	3	3	12.50	7.50
TSB1-07140-4BTX	4	4	15.00	10.00
TSB1-07150-4BTX	5	5	17.50	12.50
TSB1-07160-4BTX	6	6	20.00	15.00
TSB1-07170-4BTX	7	7	22.50	17.50
TSB1-07180-4BTX	8	8	25.00	20.00

DIMENSION IN mm [inch]	
Tolerance unless otherwise specified	
X. ± 0.38	X.* ± 10'
X.X ± 0.20	X.X* ± 5'
X.XX ± 0.13	X.XX* ± 2'
X.XXX ±	X.XXX* ±

CEN 欣訊科技股份有限公司
CEN LINK CO., LTD.
CUSTOMER DRAWING

Approver:

Checker:

Drawer: **Aaron**

05/28/2007

Title: 2.5mm Pitch Battery Conn. Male Type
Dwg No. TSB1-071X0-4BTX
File No. PO3013
Scale: 4 : 1
Size: A 4
Rev : B
Sheet: 1 / 1