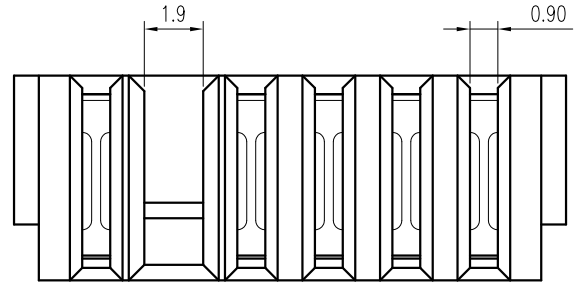


REV.	DESCRIPTION	ECN NO.	DATE	DRAWER
A	New Release		01/08/2008	Jeff

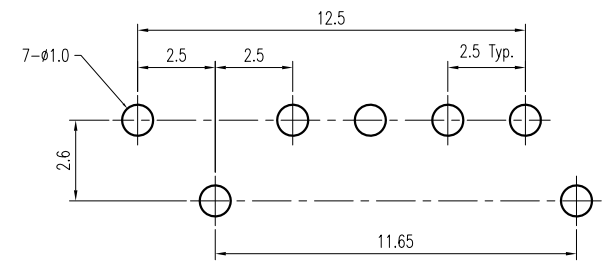
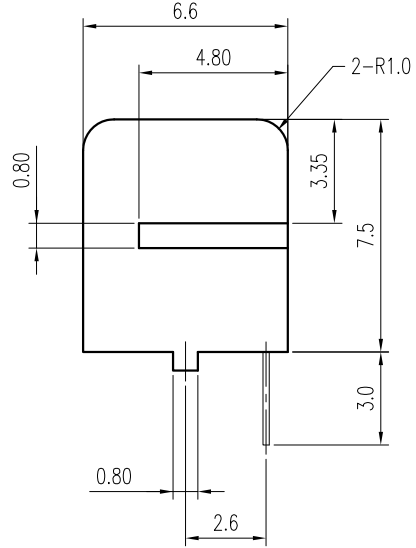
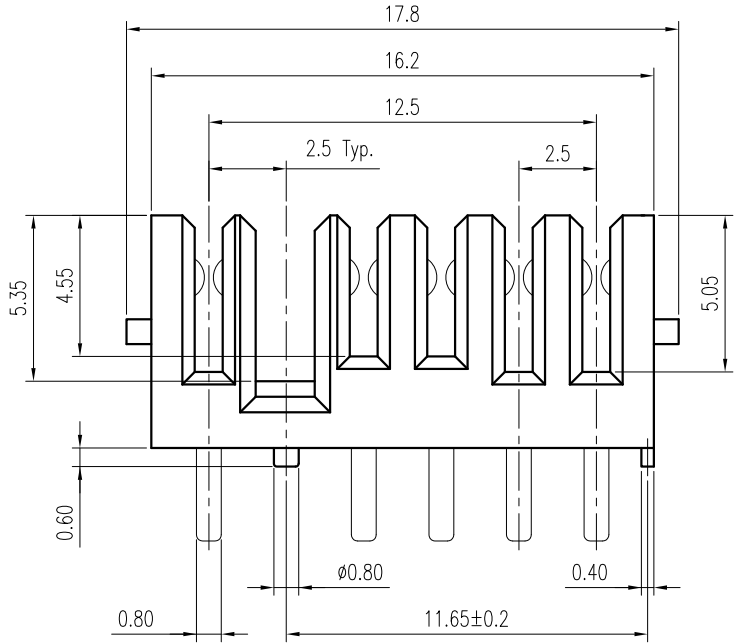


Notes:

- Material :
Housing : Thermoplastic UL 94V-0, Black
Terminal : Copper Alloy
- Finish :
Terminal : Selected Gold on Contact Area, Gold Flash on Solder Tails, Both over 40u" Min. Ni Under-plated Overall
- Corresponding Products :
Male Contact Pin Thickness: 0.7mm
- Order Information :

T SB0-13552-10T X
Plating
2 : 2u" Min. Gold on Contact Area
3 : 5u" Min. Gold on Contact Area

T : RoHS (for High Temperature)



DIMENSION IN mm [inch]		CEN 欣訊科技股份有限公司 CEN LINK CO., LTD.	Title 2.5mm Pitch Battery Conn. Female Type		Scale: 4 : 1
Tolerance unless otherwise specified			Dwg No. TSBO-13552-10TX	File No. PO7007	
X.	± 0.38	X.*	± 10'	Approver:	Drawer: Jeff 01/08/2008
X.X	± 0.25	X.X*	± 5'		
X.XX	± 0.15	X.XX*	± 2'		
X.XXX	±	X.XXX*	±		
		CUSTOMER DRAWING		Checker:	Sheet: 1 / 1