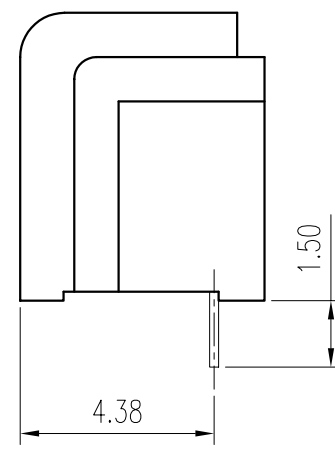
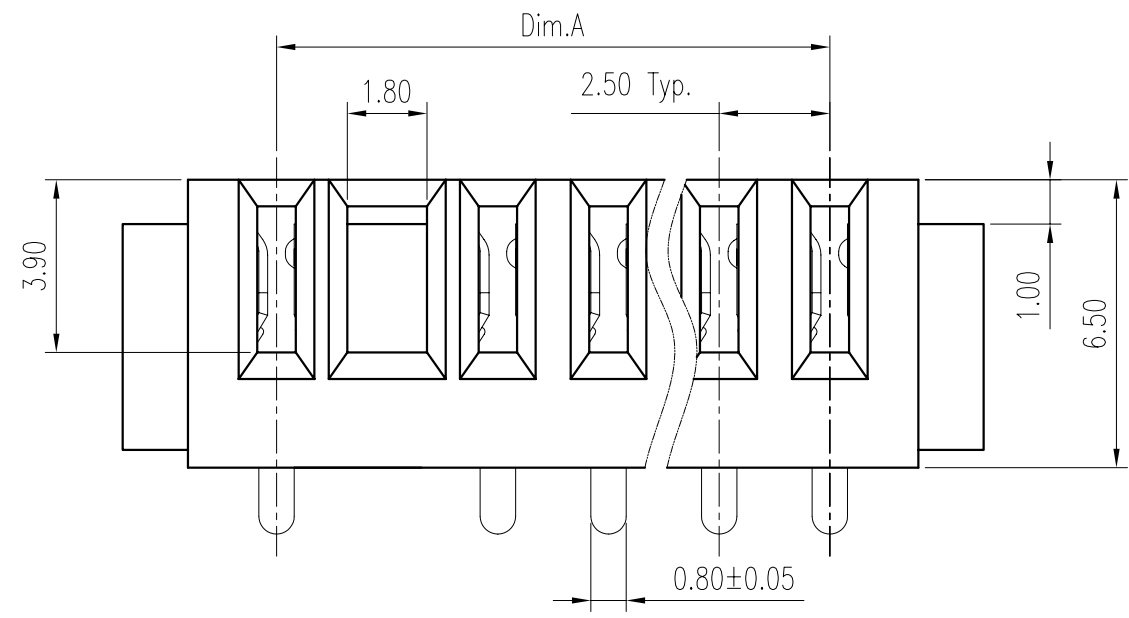
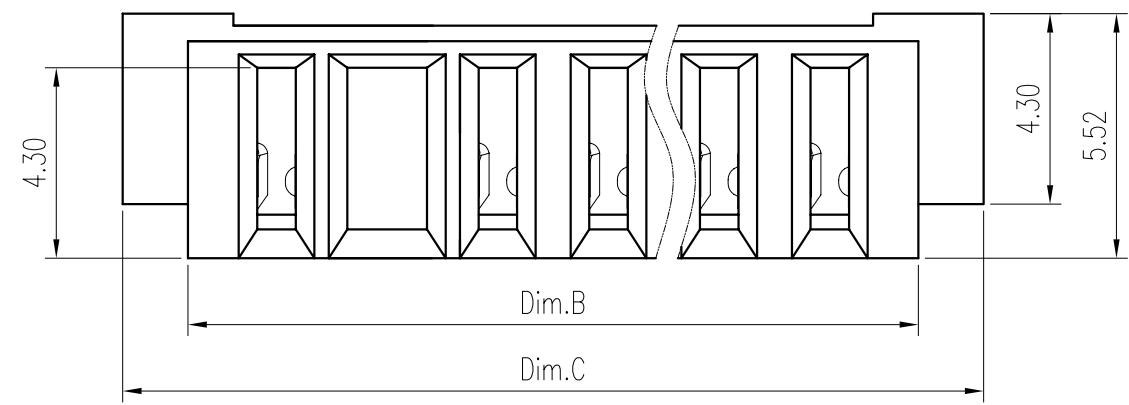
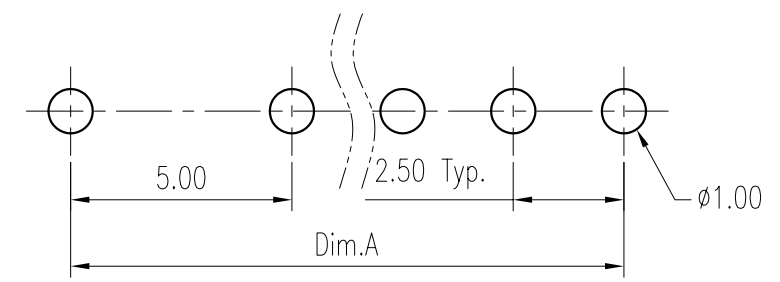
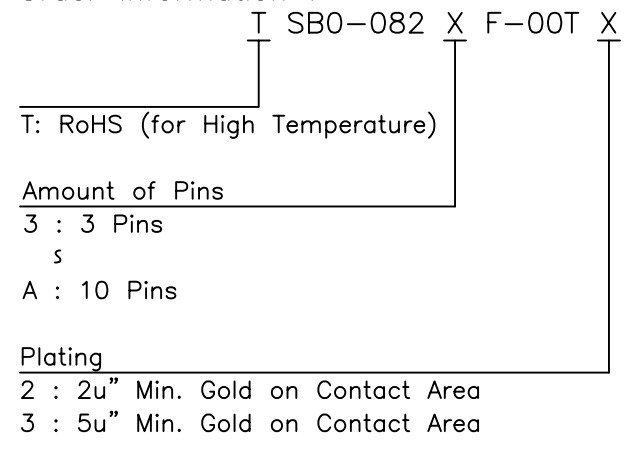


REV.	DESCRIPTION	ECN NO.	DATE	DRAWER
A	New Release		09/30/2006	Tom



Notes:

- Material :  
Housing : Thermoplastic UL 94V-0  
Terminal : Copper Alloy
- Finish :  
Terminal : Selected Gold on Contact Area,  
1u" Min. Gold on Solder Tails,  
Both over 50u" Min. Ni Under-plated Overall
- Order Information :



Recommended P.C.B. Layout  
Layout Tolerance = ± 0.05 mm

Dimension Information:

Part No.	Dim.	Dim.A	Dim.B	Dim.C
TSB0-0823F-00TX	7.50	11.50	14.45	
TSB0-0824F-00TX	10.00	14.00	16.95	
TSB0-0825F-00TX	12.50	16.50	19.45	
TSB0-0826F-00TX	15.00	19.00	21.95	
TSB0-0827F-00TX	17.50	21.50	24.45	
TSB0-0828F-00TX	20.00	24.00	26.95	
TSB0-0829F-00TX	22.50	26.50	29.45	
TSB0-082AF-00TX	25.00	29.00	31.95	

DIMENSION IN mm [inch]	
Tolerance unless otherwise specified	
X.	X.* ± 10'
X.X ± 0.38	X.X* ± 5'
X.XX ± 0.25	X.XX* ± 2'
X.XXX ± 0.13	X.XXX* ±

**CEN** 欣訊科技股份有限公司  
CEN LINK CO., LTD.  
CUSTOMER DRAWING

Title	2.5mm Pitch Battery Conn. Female Type
Dwg No.	TSB0-082XF-00TX
File No.	N/A

Approver:	Checker:	Drawer: Tom	09/30/2006
-----------	----------	-------------	------------

Scale:	4 : 1
Size:	A 4
Rev :	A
Sheet:	1 / 1