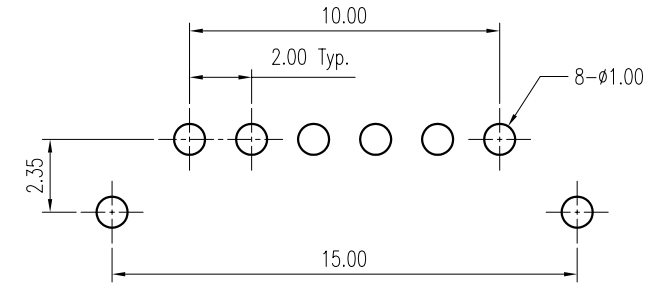
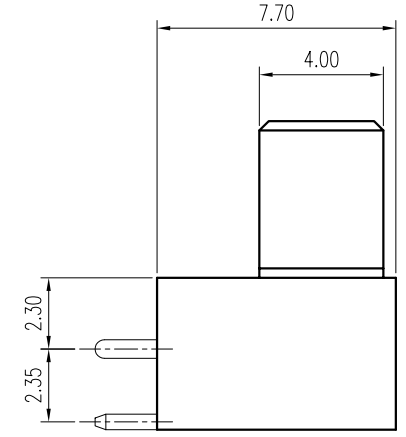
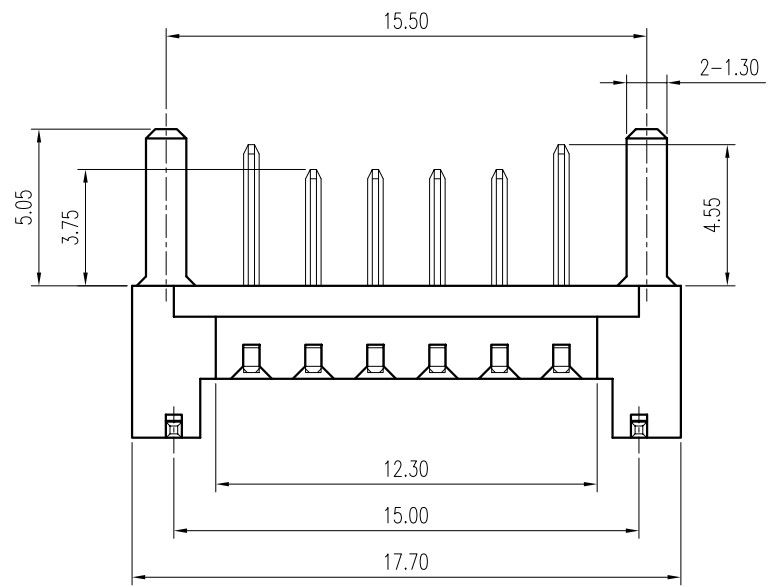
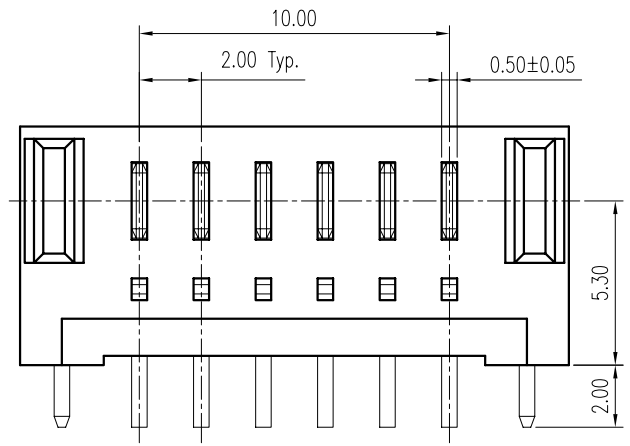


REV.	DESCRIPTION	ECN NO.	DATE	DRAWER
A	New Release		08/06/2007	Aaron

Notes:

- Material :
Housing : Thermoplastic UL 94V-0 , Black
Terminal : Copper Alloy
Post : Copper Alloy
 - Finish :
Terminal : Selected Gold on Contact Area, Gold Flash on Solder Tails, Both over 50u" Min. Ni Under-plated Overall
Post : Gold Flash
 - Order Information :
T SA1-141 06 -03T X
T : RoHS(for High Temperature)
- Amount of Pins
06 : 6 Pins
- Plating
2 : 3u" Min. Gold on Contact Area
3 : 5u" Min. Gold on Contact Area



Recommended P.C.B. Layout
Layout Tolerance = ± 0.05 mm

DIMENSION IN mm [inch]		欣訊科技股份有限公司 CEN LINK CO., LTD. CUSTOMER DRAWING	Title 2.0mm Pitch Battery Conn. Male Type	
Tolerance unless otherwise specified			Dwg No. TSA1-14106-03TX	
X. ±	X.* ± 10'	Approver: _____ Checker: _____ Drawer: Aaron	File No. PO7010	Rev : A
X.X ± 0.38	X.X* ± 5'		08/06/2007	Size: A 4
X.XX ± 0.25	X.XX* ± 2'			Sheet: 1 / 1
X.XXX ± 0.13	X.XXX* ±			WC00-4B