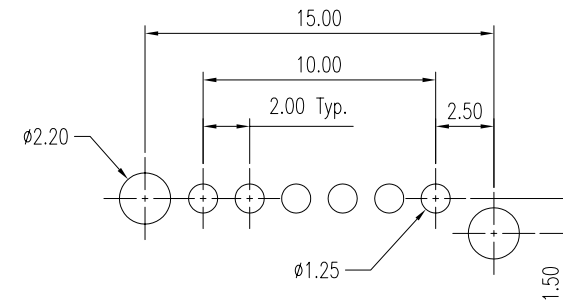
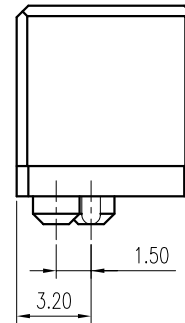
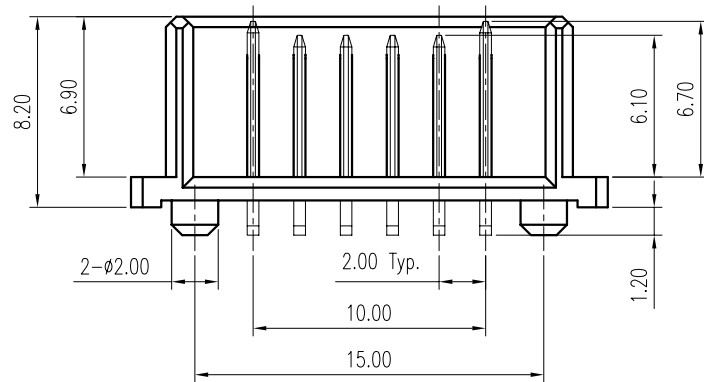
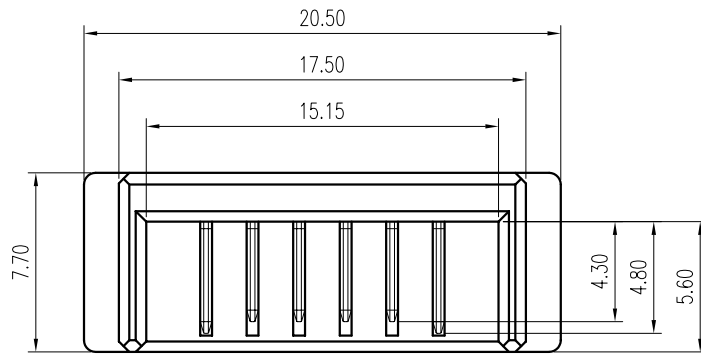


REV.	DESCRIPTION	ECN NO.	DATE	DRAWER
A	New Release		08/09/2007	Alan

Notes:

- Material :  
Housing : Thermoplastic UL 94V-0, Black  
Terminal : Copper Alloy
- Finish :  
Terminal : Selected Gold on Contact Area, Gold Flash on Solder Tails, Both over 50u" Min. Ni Under-plated Overall
- Order Information :  
TSA1-06806-04T X

Plating	
2 : 2u"	Min. Gold on Contact Area
3 : 5u"	Min. Gold on Contact Area



Recommended P.C.B. Layout  
Layout Tolerance = ± 0.05 mm

DIMENSION IN mm [inch]		CEN 欣訊科技股份有限公司 CEN LINK CO., LTD. CUSTOMER DRAWING	Title 2.0mm Pitch Battery Conn. Male Type		 Scale: 3 : 1 Size: A 4 Rev : A Sheet: 1 / 1
Tolerance unless otherwise specified			Dwg No. TSA1-06806-04TX	File No. PO7009	
X. ±	X.* ± 10'	Approver: _____ Checker: _____ Drawer: Alan 08/09/21007			
X.X ± 0.38	X.X* ± 5'				
X.XX ± 0.25	X.XX* ± 2'				
X.XXX ± 0.13	X.XXX* ±				