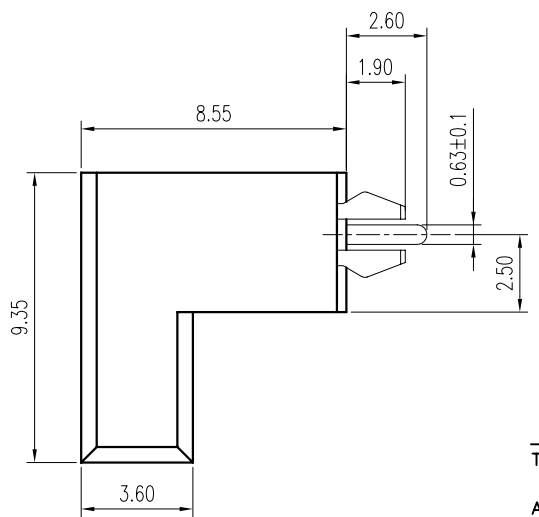
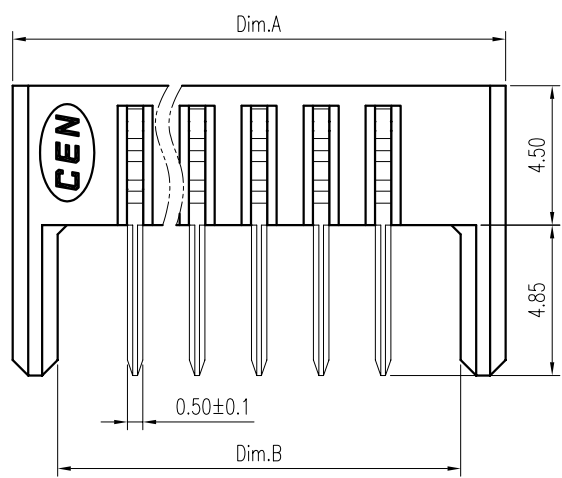


REV.	DESCRIPTION	ECN NO.	DATE	DRAWER
A	New Release		05/10/2006	Alan



Notes:

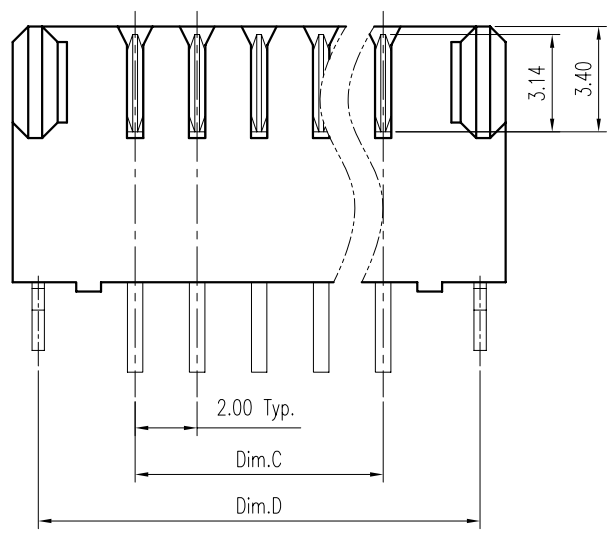
- Material :  
Housing : Thermoplastic , UL 94V-0 , Black  
Terminal : Copper Alloy  
Forklock : Copper Alloy
- Finish :  
Terminal : Selected Gold on Contact Area, Gold Flash on Solder Tails, Both over 50u" Min. Ni Under-plated Overall  
Forklock : 1u" Min. Gold Over 50u" Min. Ni Under-plated Overall.

3. Order Information :

T SA1-016 XX -00T X

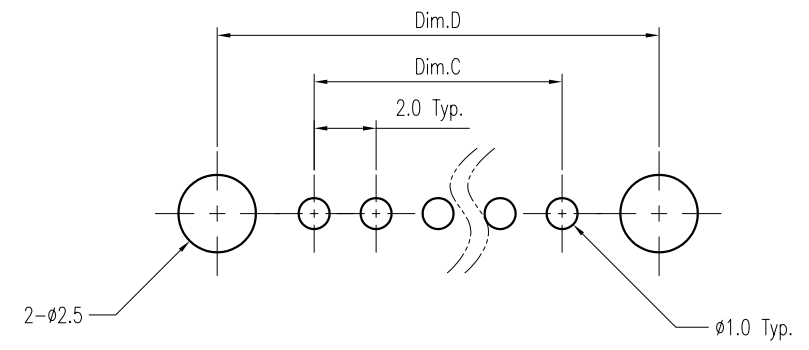
T : RoHS(High Temperature)      Plating Option  
 2 : 3u" Min. Gold on Contact Area  
 3 : 5u" Min. Gold on Contact Area

Amount of Pins  
 03 : 3 Pins  
 5 : 5 Pins  
 10 : 10 Pins



Part No.	Dim.	Dim.A	Dim.B	Dim.C	Dim.D
TSA1-01603-00TX		11.90	9.00	4.00	10.25
TSA1-01604-00TX		13.90	11.00	6.00	12.25
* TSA1-01605-00TX		15.90	13.00	8.00	14.25
TSA1-01606-00TX		17.90	15.00	10.00	16.25
TSA1-01607-00TX		19.90	17.00	12.00	18.25
TSA1-01608-00TX		21.90	19.00	14.00	20.25
TSA1-01609-00TX		23.90	21.00	16.00	22.25
TSA1-01610-00TX		25.90	23.00	18.00	24.25

(\*Mass Product)



Recommended P.C.B. Layout  
 Layout Tolerance = ± 0.05 mm

DIMENSION IN mm [inch]		CEN 欣訊科技股份有限公司 CEN LINK CO., LTD.	Title 2.0mm Pitch Battery Conn. Male Type		Scale: 4 : 1
Tolerance unless otherwise specified			Dwg No. TSA1-016XX-00TX	Size: A 4	
X. ±	X.* ± 10'	CUSTOMER DRAWING	File No. PO6007	Rev : A	
X.X ± 0.38	X.X* ± 5'		Approver:	Checker:	Drawer: Alan
X.XX ± 0.25	X.XX* ± 2'				05/10/2006
X.XXX ± 0.13	X.XXX* ±				Sheet: 1 / 1