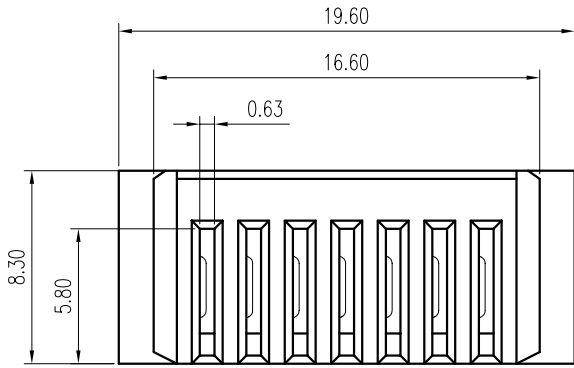


REV.	DESCRIPTION	ECN NO.	DATE	DRAWER
A	New Release		05/02/2007	Alan



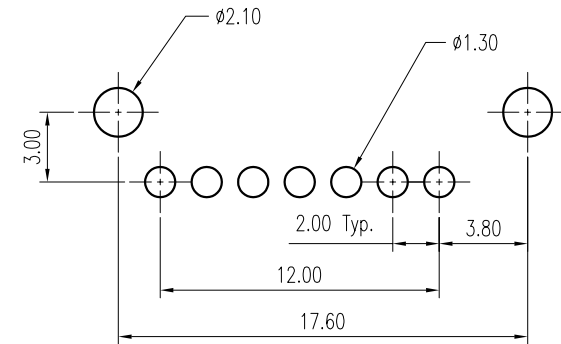
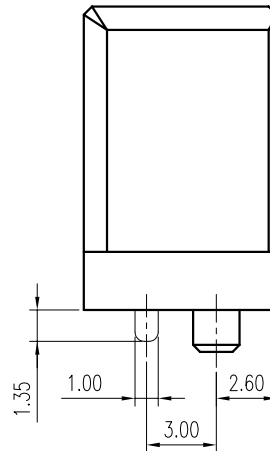
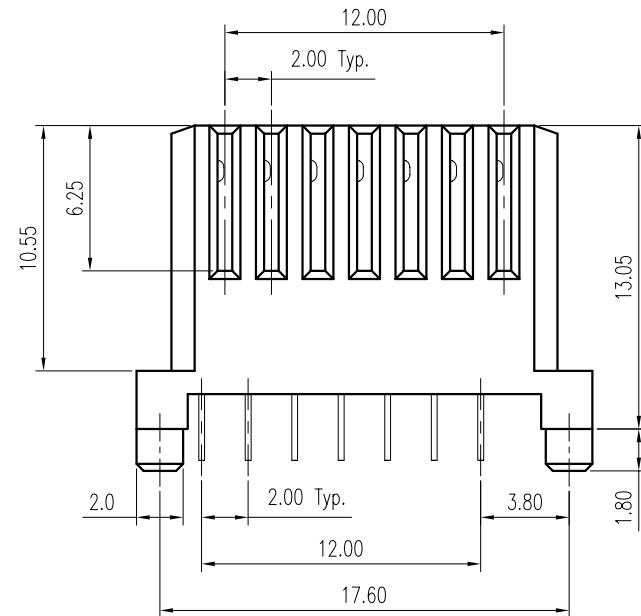
Notes:

- Material :
Housing : Thermoplastic UL 94V-0, Black
Terminal : Copper Alloy
- Finish :
Terminal : Selected Gold on Contact Area, Gold Flash on Solder Tails, Both over 40u" Min. Ni Under-plated Overall
- Order Information :
TSA0-091 07 -00T X

Amount of Pins
07 : 7 Pins

Plating Option

- 2 : 2u" Min. Gold on Contact Area
- 3 : 5u" Min. Gold on Contact Area
- 4 : 10u" Min. Gold on Contact Area



Recommended P.C.B. Layout
Layout Tolerance = ± 0.05 mm

DIMENSION IN mm [inch]	
Tolerance unless otherwise specified	
X. ±	X.* ± 10'
X.X ± 0.38	X.X* ± 5'
X.XX ± 0.25	X.XX* ± 2'
X.XXX ± 0.13	X.XXX* ±

CEN 欣訊科技股份有限公司
CEN LINK CO., LTD.

Approver:

Checker:

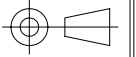
Title 2.0mm Pitch Battery Conn.
Female Type

Dwg No. TSA0-09107-00TX

File No. PO6025

Drawer: Alan

05/02/2007



Scale: 3 : 1

Size: A 4

Rev : A

Sheet: 1 / 1