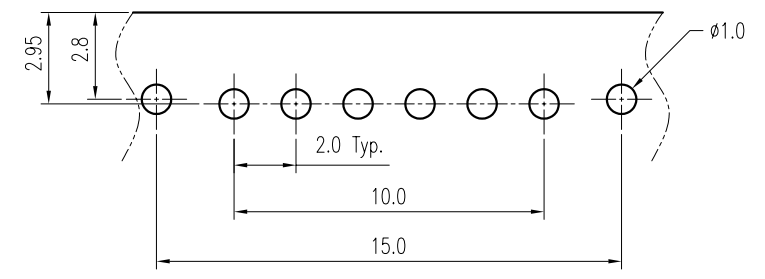
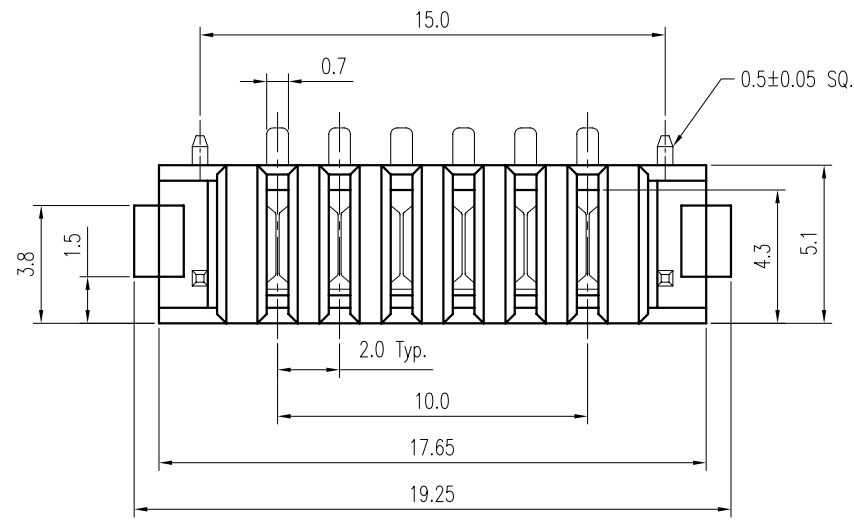
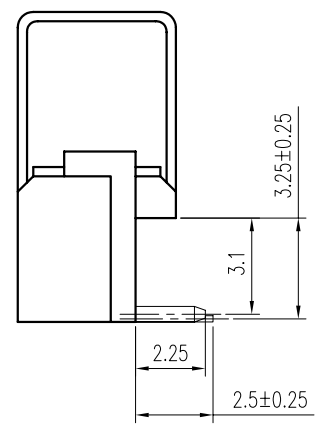
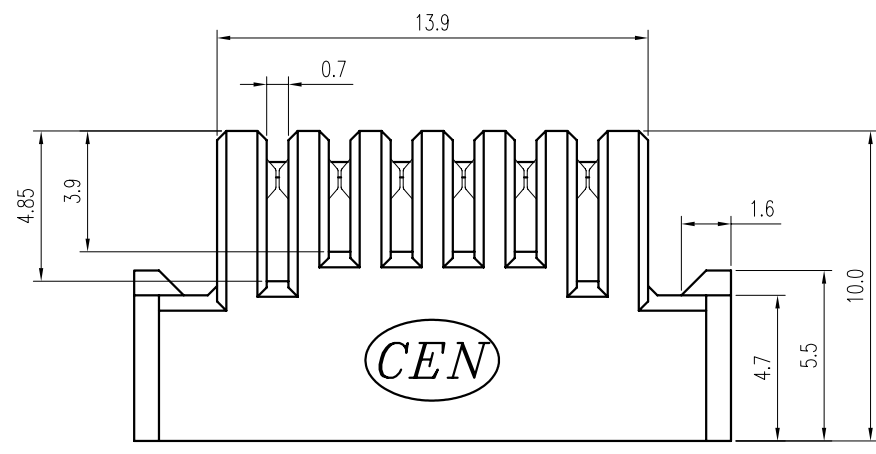


REV.	DESCRIPTION	ECN NO.	DATE	DRAWER
A	New Release		08/10/2006	Tom



Recommended P.C.B. Layout  
Layout Tolerance = ± 0.05 mm



**Notes:**

- Material :  
Housing : Thermoplastic UL 94V-0, Black  
Terminal : Copper Alloy
  - Finish :  
Terminal : Selected Gold on Contact Area, Gold Flash on Solder Tails, Both Over 30u" Min. Ni Under-plated Overall
  - Order Information :  
TSA0-08006-00T X
- Plating**  
2 : 3u" Min. Gold on Contact Area  
3 : 5u" Min. Gold on Contact Area

DIMENSION IN mm [inch]	
Tolerance unless otherwise specified	
X. ± 0.38	X.* ± 10'
X.X ± 0.25	X.X* ± 5'
X.XX ± 0.15	X.XX* ± 2'
X.XXX ± --	X.XXX* ±

**CEN** 欣訊科技股份有限公司  
CEN LINK CO., LTD.

CUSTOMER DRAWING

Title 2.0mm Pitch Battery Conn. Female Type  
Dwg No. TSA0-08006-00TX  
File No. PO6015

	Scale: 4 : 1
	Size: A 4
	Rev : A
	Sheet: 1 / 1

Approver: \_\_\_\_\_ Checker: \_\_\_\_\_ Drawer: **Tom**  
08/10/2006