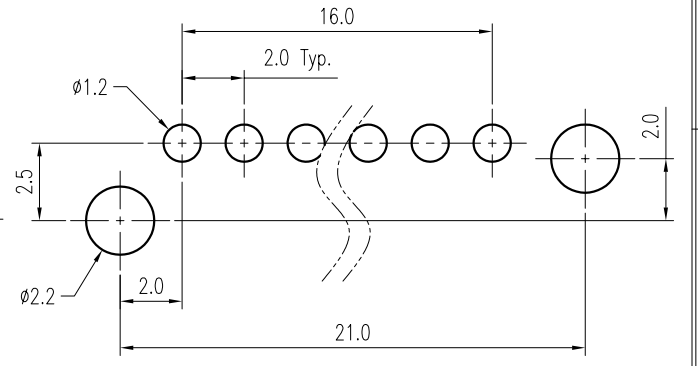
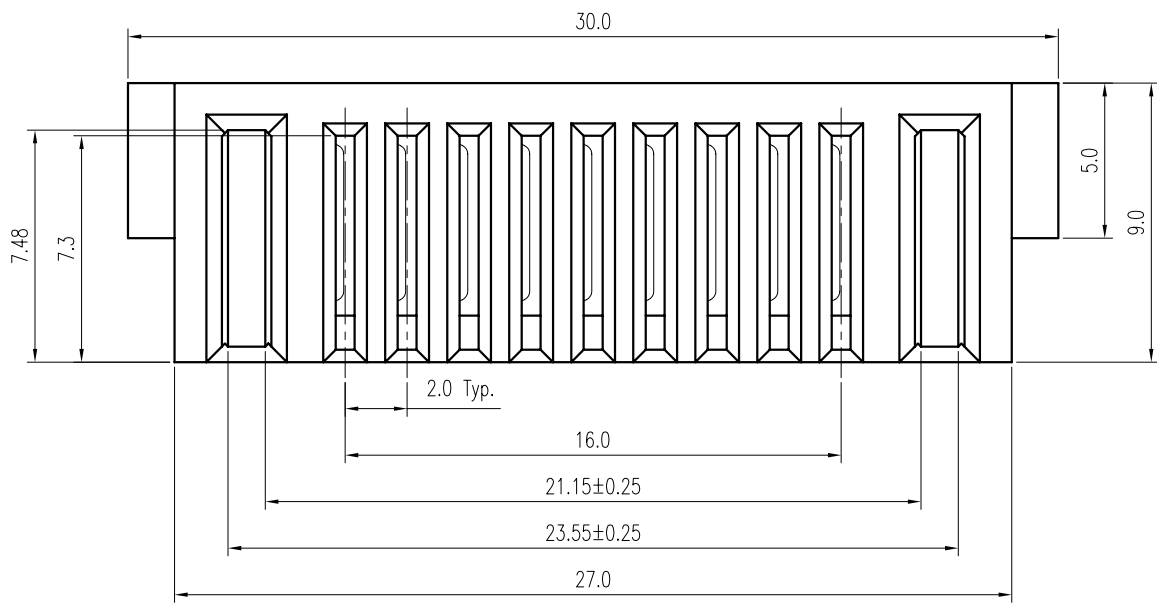
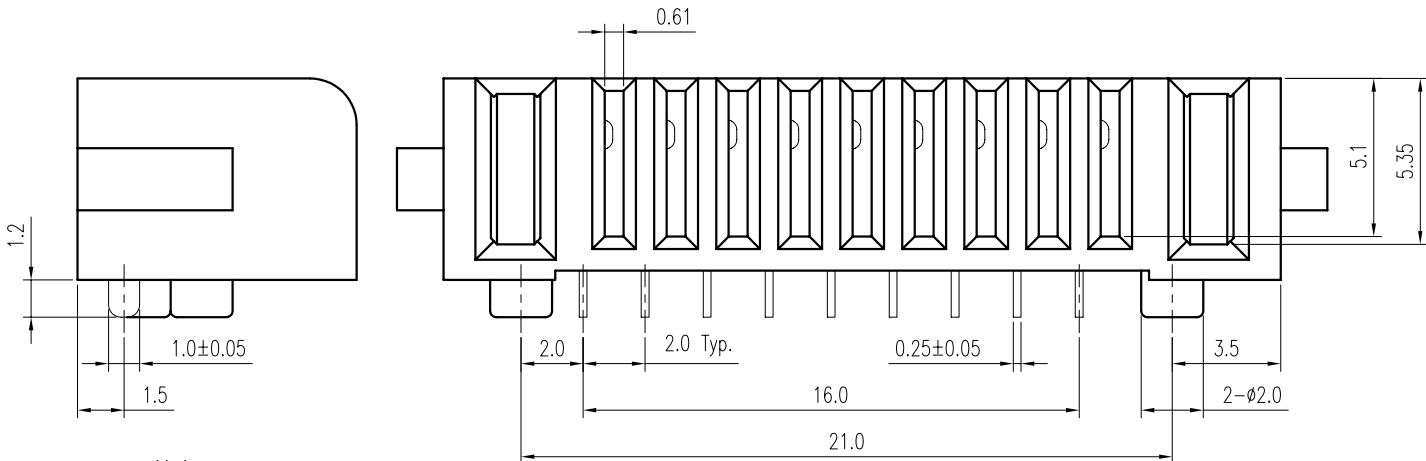


REV.	DESCRIPTION	ECN NO.	DATE	DRAWER
A	New Release		08/10/2006	Tom



Recommended P.C.B. Layout
Layout Tolerance = ± 0.05 mm



Notes:

- Material :
Housing : Thermoplastic UL 94V-0, Black
Terminal : Copper Alloy
- Finish :
Terminal : Selected Gold on Contact Area, Gold
Flash on Solder Tails, Both Over 30u"
Min. Ni Under-plated Overall
- Order Information :
TSA0-07009-00T X

Plating
2 : 3u" Min. Gold on Contact Area
3 : 5u" Min. Gold on Contact Area

DIMENSION IN mm [inch]	
Tolerance unless otherwise specified	
X. ± 0.38	X.* ± 10'
X.X ± 0.25	X.X* ± 5'
X.XX ± 0.15	X.XX* ± 2'
X.XXX ± --	X.XXX* ±

CEN 欣訊科技股份有限公司
CEN LINK CO., LTD.
CUSTOMER DRAWING

Title	2.0mm Pitch Battery Conn. Female Type	
Dwg No.	TSA0-07009-00TX	
File No.	PO6014	Scale: 4 : 1
Apprver:	Checker:	Size: A 4
Drawer: Tom	08/10/2006	Rev : A
		Sheet: 1 / 1