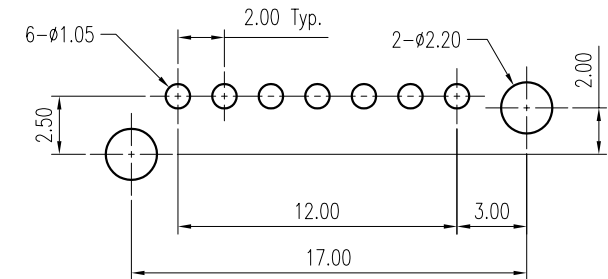
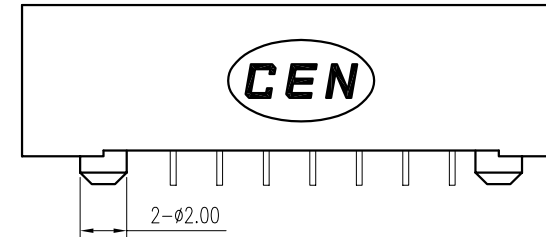
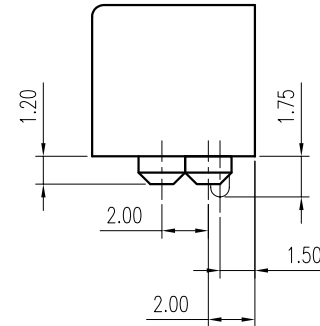
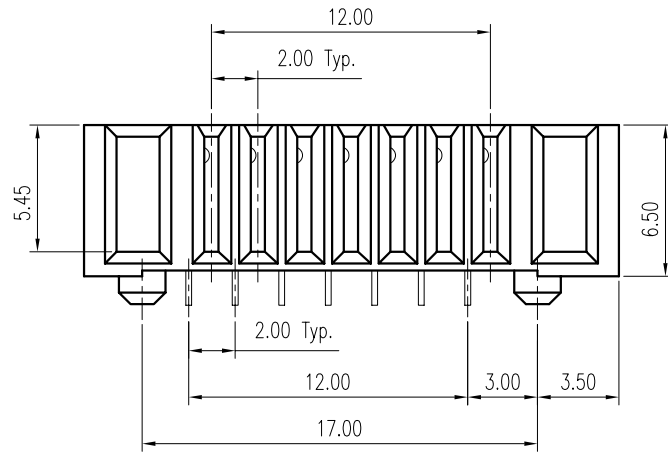
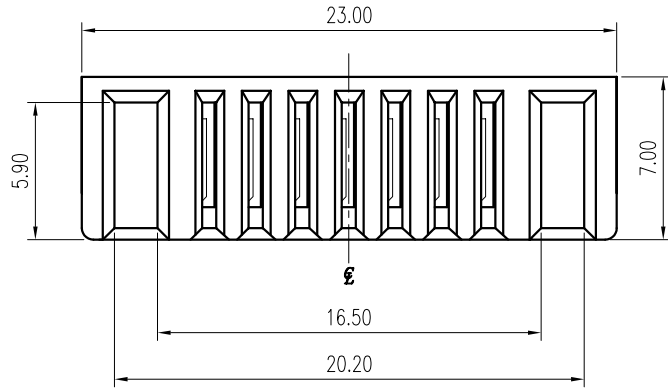


REV.	DESCRIPTION	ECN NO.	DATE	DRAWER
A	New Release		04/11/2007	Aaron
B	Modified Drawing	EC0708040	08/23/2007	Aaron



Recommended P.C.B. Layout  
Layout Tolerance = ± 0.05 mm

Notes:

- Material :  
Housing : Thermoplastic UL 94V-0 , Black  
Terminal : Copper Alloy
- Finish :  
Terminal : Selected Gold on Contact Area, 1u" Min. Gold on Solder Tails, Both over 30u" Min. Ni Under-plated Overall

3. Order Information :

SA0-06407-05T X

T : RoHS(for High Temperature)

Plating

- 2 : 3u" Min. Gold on Contact Area
- 3 : 5u" Min. Gold on Contact Area
- 4 : 10u" Min. Gold on Contact Area
- 8 : 30u" Min. Gold on Contact Area

DIMENSION IN mm [inch]	
Tolerance unless otherwise specified	
X. ± 0.38	X.* ± 10'
X.X ± 0.38	X.X* ± 5'
X.XX ± 0.25	X.XX* ± 2'
X.XXX ± 0.13	X.XXX* ±

**CEN** 欣訊科技股份有限公司  
CEN LINK CO., LTD.  
CUSTOMER DRAWING

Title 2.0mm Pitch Battery Conn. Female Type  
Dwg No. TSA0-06407-05TX  
File No. PO2015

Approver:

Checker:

Drawer: Aaron

08/23/2007

Scale: 3 : 1  
Size: A 4  
Rev : B  
Sheet: 1 / 1