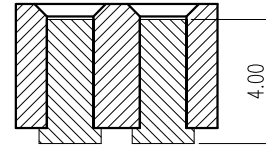
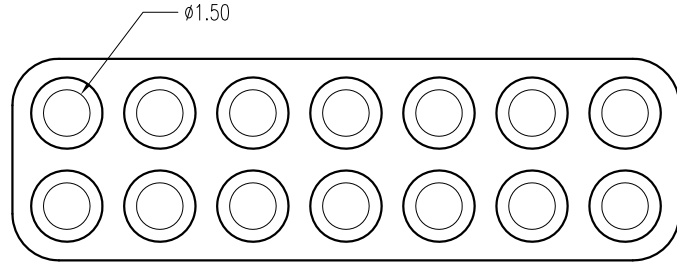


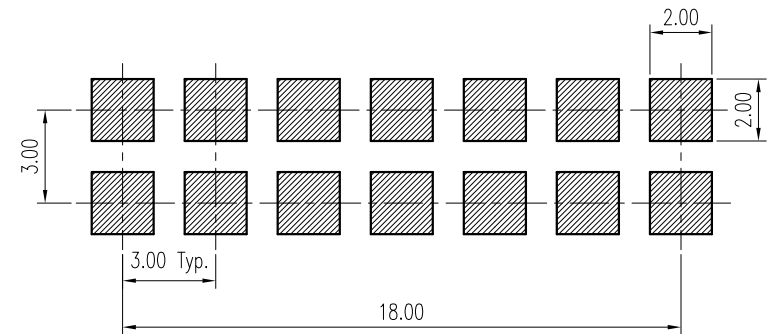
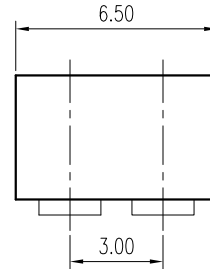
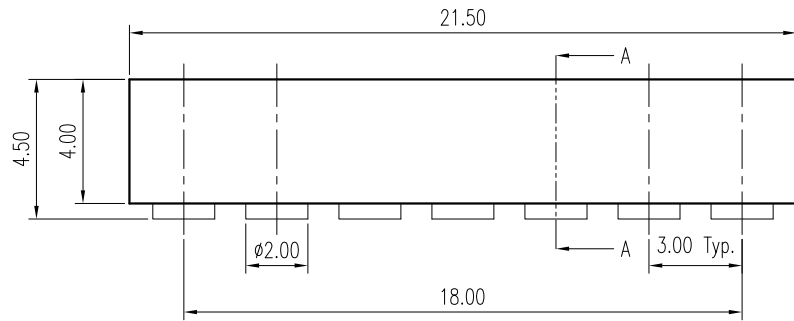
REV.	DESCRIPTION	ECN NO.	DATE	DRAWER
A	New Release		06/26/2008	Aaron



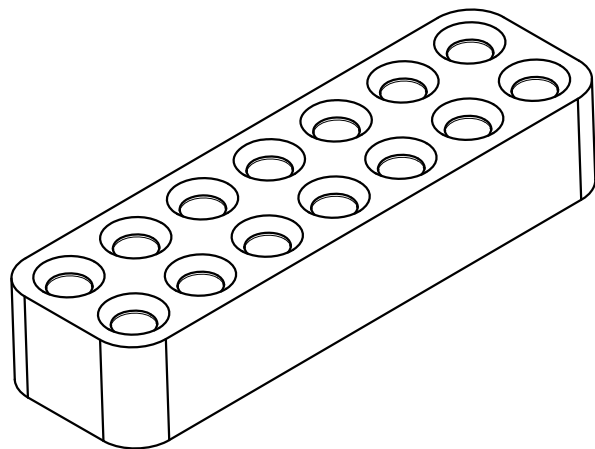
Section A-A

Notes:

- Material :
Housing : Thermoplastic UL 94V-0 , Black
Terminal : Copper Alloy
- Finish :
Terminal : Selected Gold over 50u" Min. Ni Under-plated Overall
- Order Information :
T PNO-01501-00T X
T : RoHS(for High Temperature)
6 : 20u" Min. Gold Overall



Recommended P.C.B. Layout
Layout Tolerance = ± 0.05 mm



DIMENSION IN mm [inch]	
Tolerance unless otherwise specified	
X. ± 0.38	X.* ± 10'
X.X ± 0.38	X.X* ± 5'
X.XX ± 0.25	X.XX* ± 2'
X.XXX ± 0.13	X.XXX* ±

CEN 欣訊科技股份有限公司
CEN LINK CO., LTD.
CUSTOMER DRAWING

Title 3.0mm Pitch Battery Conn. Female Type
Dwg No. TPNO-01501-00TX
File No. PO8016

Approver:

Checker:

Drawer: Aaron

06/26/2008

	Scale: 4 : 1
	Size: A 4
	Rev : A
	Sheet: 1 / 1