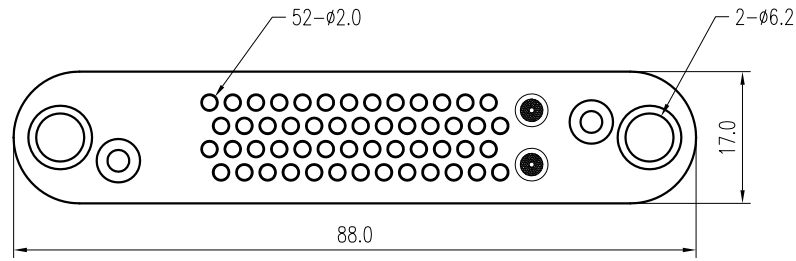
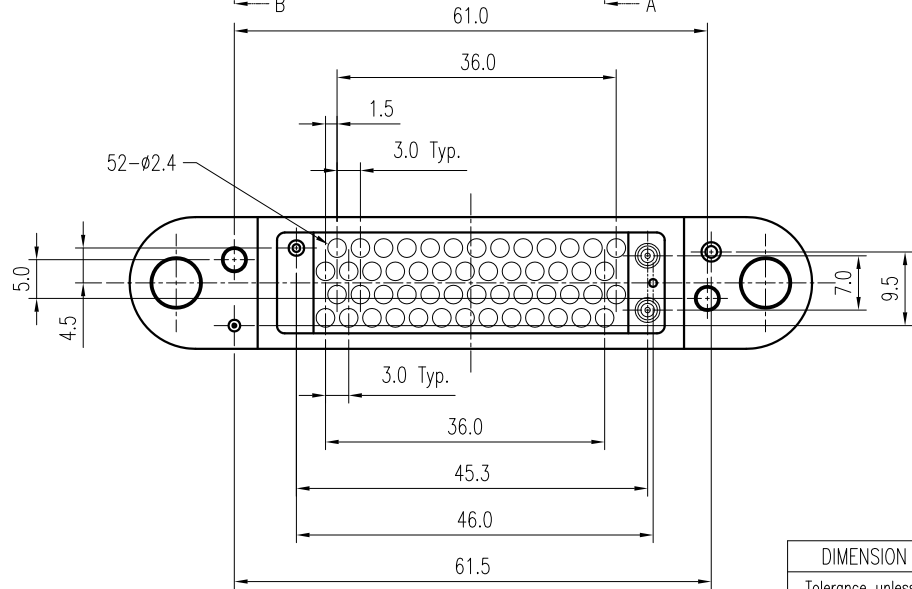
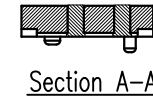
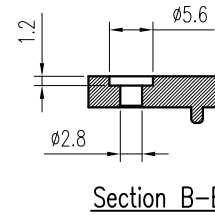
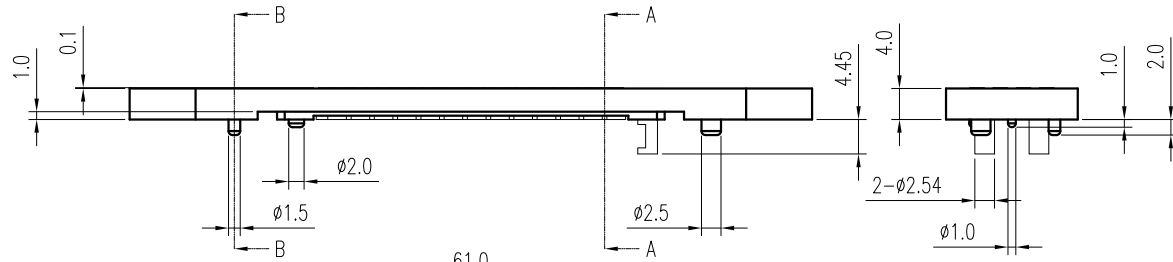


REV.	DESCRIPTION	ECN NO.	DATE	DRAWER
A	New Release		04/30/2008	Tom



Notes:

- Material :
Housing : Thermoplastic UL 94V-0
Terminal : Copper Alloy
- Finish :
Terminal : 50u" Gold on Contact Area, Gold Flash on Solder Tails, Both over 50u" Min. Ni Under-plated Overall
- Order Information : TPNO-01200-00TY



DIMENSION IN mm [inch]			
Tolerance unless otherwise specified			
X.	± 0.38	X.*	± 10'
X.X	± 0.20	X.X*	± 5'
X.XX	± 0.13	X.XX*	± 2'
X.XXX	±	X.XXX*	±

欣訊科技股份有限公司
CEN LINK CO., LTD.
CUSTOMER DRAWING

Title	52 Pin Machine pin Conn.	
Dwg No.	TPNO-01200-00TY	
File No.	PO7022	Scale: 1 : 1
Apprver:	Checker:	Size: A 4
Drawer: Tom	04/30/2008	Rev : A
		Sheet: 1 / 1