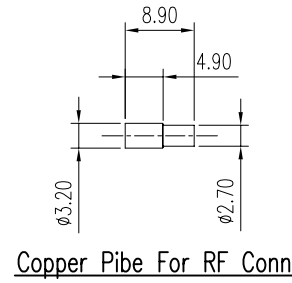
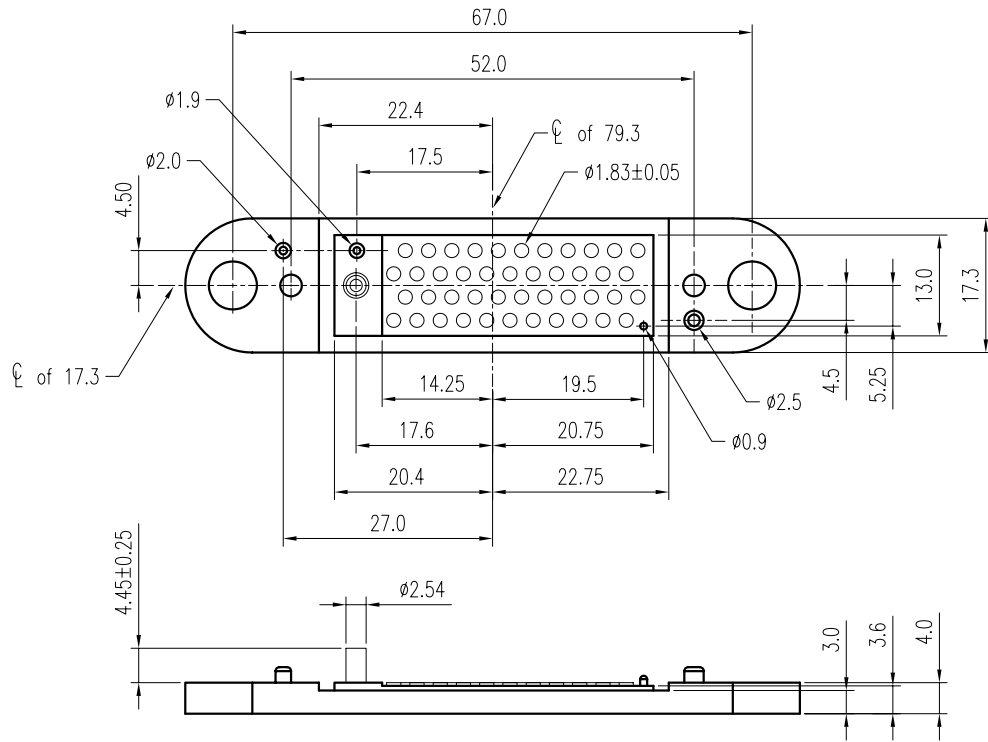
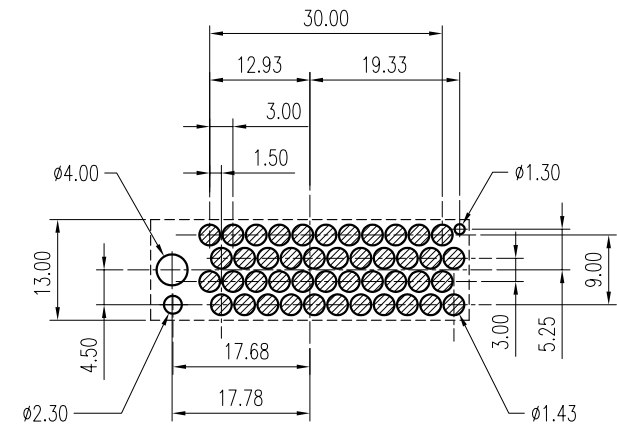
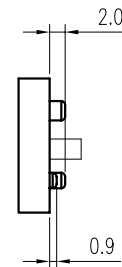
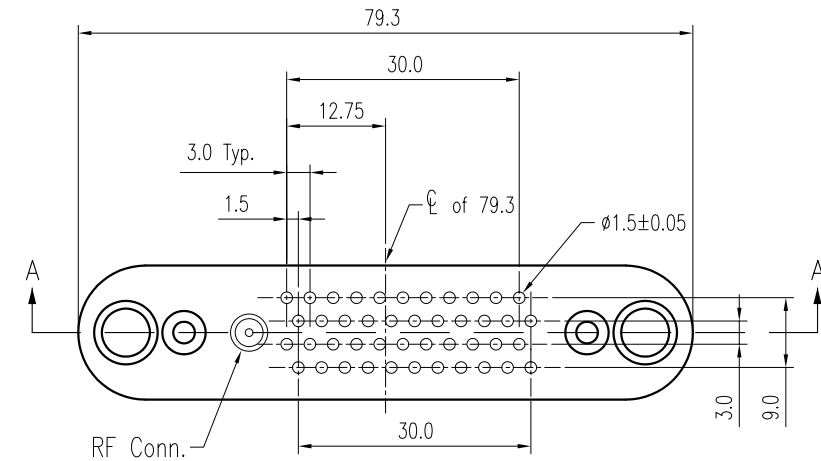
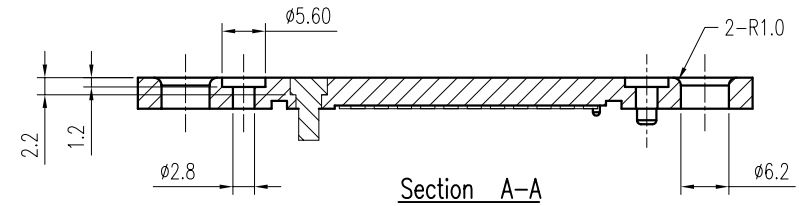


| REV. | DESCRIPTION                 | ECN NO.   | DATE       | DRAWER |
|------|-----------------------------|-----------|------------|--------|
| A    | New Release                 |           | 07/08/2005 | Ben    |
| B    | Modified by Customer Design | EC0510011 | 10/11/2005 | Tom    |



Notes:

- Material :  
Housing : Thermoplastic UL 94V-0, Black  
Terminal : Copper Alloy
- Finish :  
Terminal : 20u" Gold, 50u" Ni Under-plated Overall
- Order Information :  
TPR1-01120-70Y6



| DIMENSION IN mm [inch]               |            |
|--------------------------------------|------------|
| Tolerance unless otherwise specified |            |
| X. ± 0.38                            | X.* ± 10'  |
| X.X ± 0.25                           | X.X* ± 5'  |
| X.XX ± 0.20                          | X.XX* ± 2' |
| X.XXX ±                              | X.XXX* ±   |

**CEN** 欣訊科技股份有限公司  
CEN LINK CO., LTD.  
CUSTOMER DRAWING

Title 3.0mm Pitch 44 Pins Plane SMT Conn. With R/F  
Dwg No. TPR1-01120-70Y6  
File No. PO2017

Approver:

Checker:

Drawer: **Tom**

10/11/2005

Scale: 1 : 1  
Size: A 4  
Rev : B  
Sheet: 1 / 1