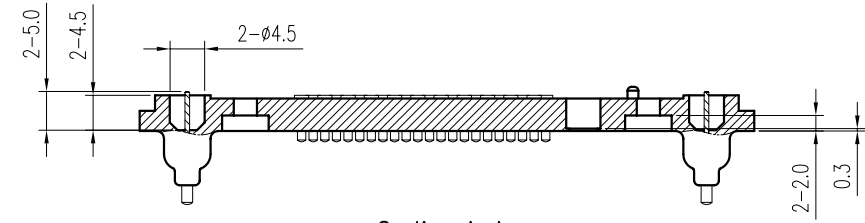
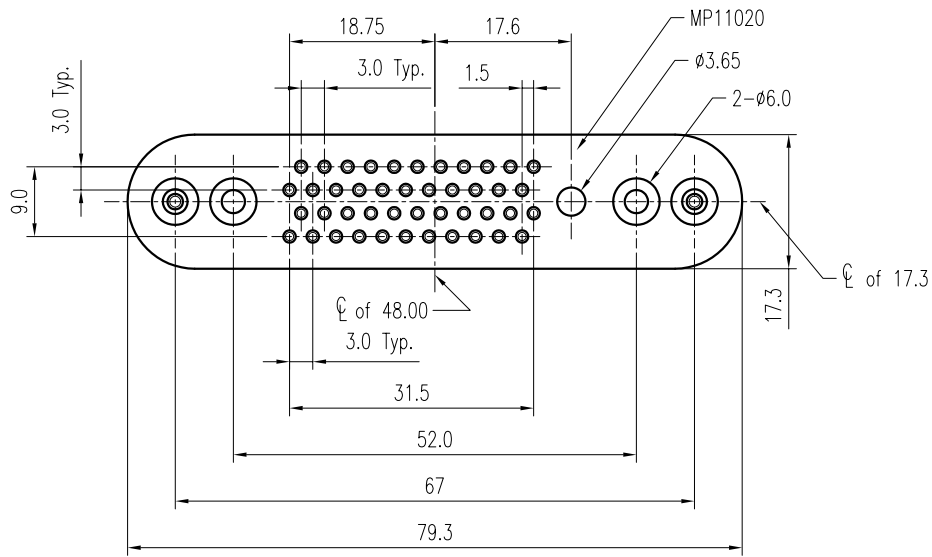


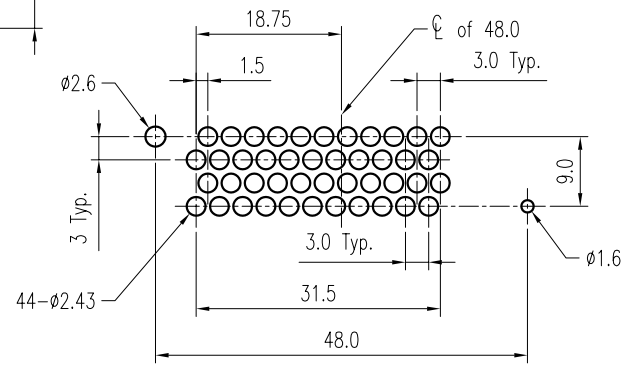
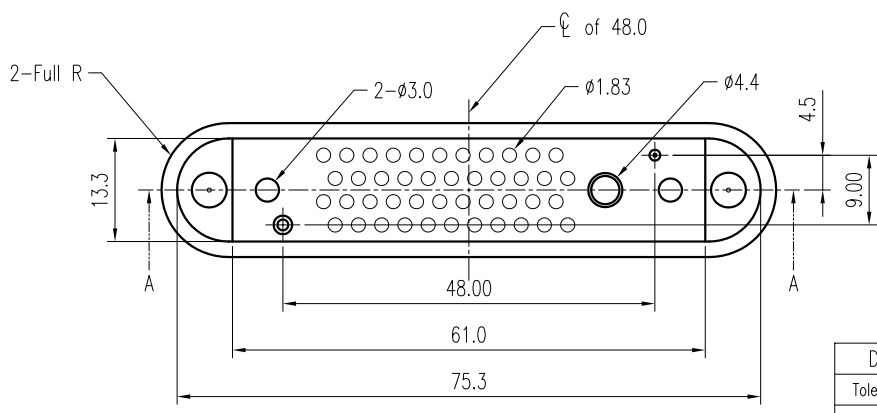
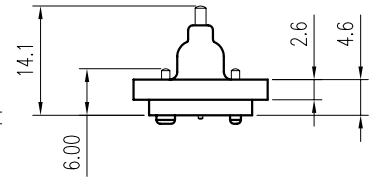
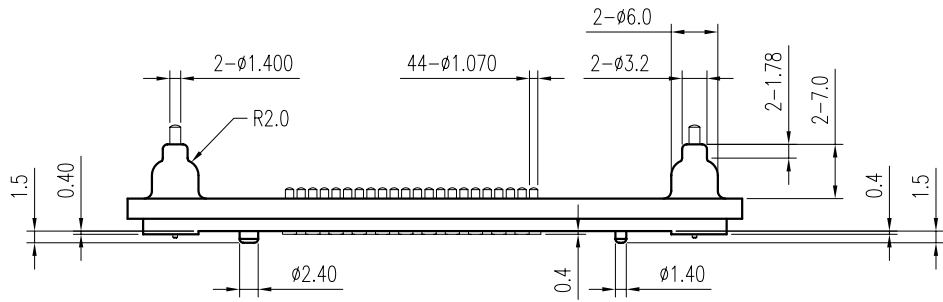
REV.	DESCRIPTION	ECN NO.	DATE	DRAWER
B	Modified by Customer Design	EC0403004	03/10/2004	Ben
C	Modified by Customer Design	EC0406003	06/14/2004	Tom
D	Modified by Customer Design	EC0510011	10/11/2005	Tom



Section A-A

Notes:

- Material :
Housing : Thermoplastic UL 94V-0, Black
Terminal : Copper Alloy
- Finish :
Terminal : 20u" Gold on Contact Area, 10u" Gold on Solder Tails, Both over 100u" Ni Under-plated Overall
- Spring Force : 0.85N ± 0.15N at Stroke 0.7mm (Short of Pins)
1.2N ± 0.24N at Stroke 2.0mm (Length of Pins)
- Order Information :
TPRO-01221-71Y6



Recommended P.C.B. Layout
Layout Tolerance = ± 0.05 mm

DIMENSION IN mm [inch]	
Tolerance unless otherwise specified	
X. ± 0.38	X.* ± 10'
X.X ± 0.25	X.X* ± 5'
X.XX ± 0.20	X.XX* ± 2'
X.XXX ± 0.10	X.XXX* ±

CEN 欣訊科技股份有限公司
CEN LINK CO., LTD.
CUSTOMER DRAWING

Title 3.0mm Pitch 44 Pins Spring Pin Conn. SMT Without R/F
Dwg No. TPRO-01221-71Y6
File No. PO2017

Approver: _____ Checker: _____ Drawer: **Tom**
10/11/2005

Scale: 1 : 1
Size: A 4
Rev : D
Sheet: 1 / 1