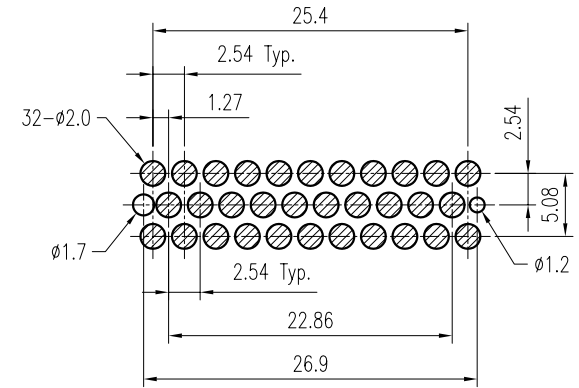
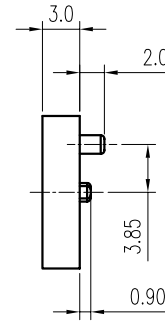
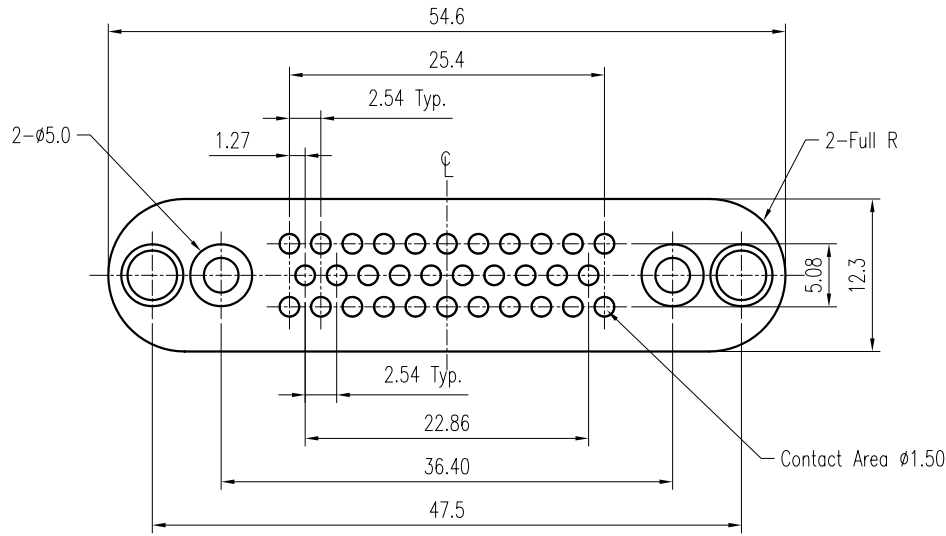
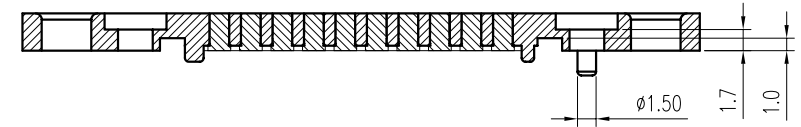
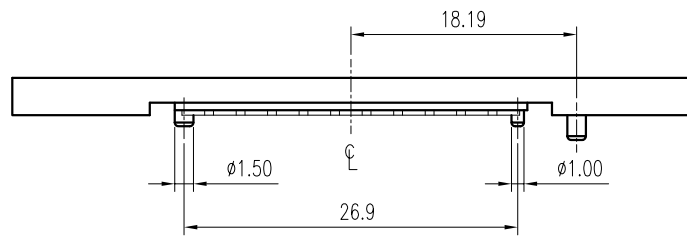


REV.	DESCRIPTION	ECN NO.	DATE	DRAWER
A	New Release		03/17/2004	Ben
B	Modified by Customer Design	EC0410013	10/20/2004	Tom
C	Modified by Customer Design	EC0606060	07/04/2006	Tom



Recommended P.C.B. Layout  
Layout Tolerance = ± 0.05 mm



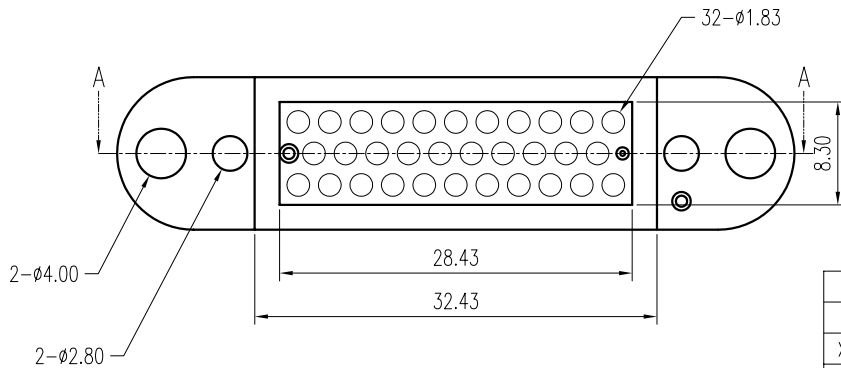
Section A-A

Notes:

- Material :  
Housing : Thermoplastic UL 94V-0, Black  
Terminal : Copper Alloy
- Finish :  
Terminal : Selected Gold on Contact Area , Gold Flash on Solder Tails Both over 50u" Ni Under-plated Overall.
- Order Information :

TPE1-02032-00T X

Plating  
6 : 20u" Gold



DIMENSION IN mm [inch]	
Tolerance unless otherwise specified	
X. ±	X.* ± 10'
X.X ± 0.38	X.X* ± 5'
X.XX ± 0.25	X.XX* ± 2'
X.XXX ± 0.13	X.XXX* ±

CEN 欣訊科技股份有限公司  
CEN LINK CO., LTD.  
CUSTOMER DRAWING

Title Waterproof 32 Pins SMT Conn.  
Dwg No. TPE1-02032-00TX  
File No. P02032

Approver:

Checker:

Drawer: Tom

07/04/2006

Scale: 1.6 : 1  
Size: A 4  
Rev : C  
Sheet: 1 / 1