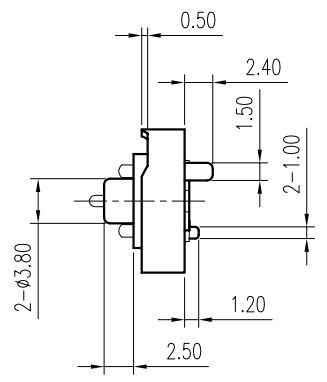
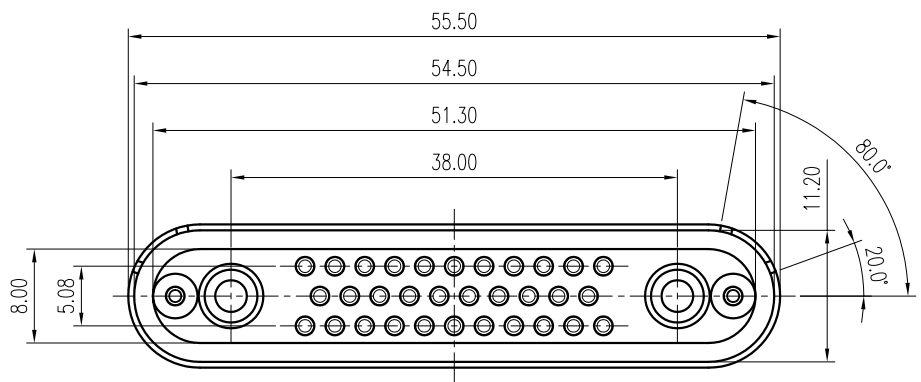
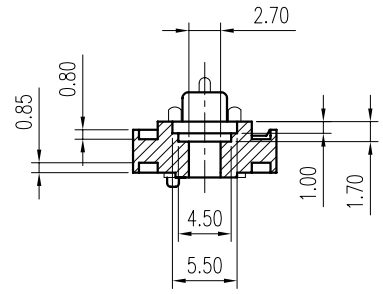
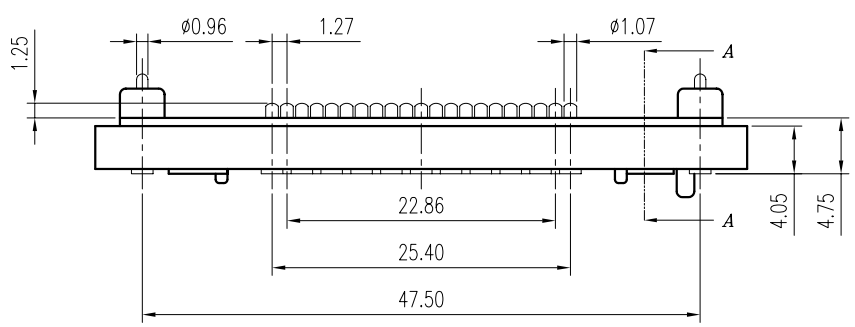


REV.	DESCRIPTION	ECN NO.	DATE	DRAWER
A	New Release		09/30/2004	Tom
B	Modified by Customer Design	EC0606060	06/30/2006	Edsen

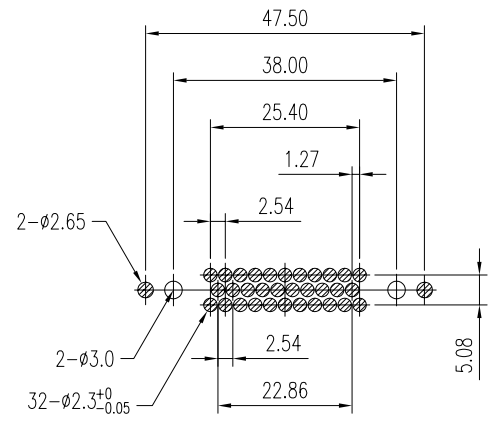
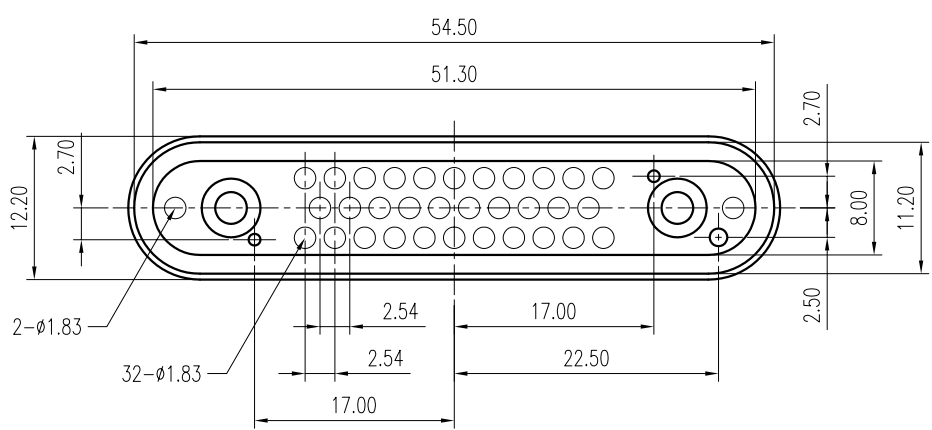


Notes:

- Material :  
Housing : Thermoplastic UL 94V-0, Black  
Terminal : Copper Alloy
- Finish :  
Terminal : Selected Gold on Contact Area, Gold Flash on Solder Tails, Both over 80u" Min. Ni Under-plated Overall
- Order Information :  
T: PE0-02032-00T X  
T: RoHS (for High Temperature)  
Plating  
6 : 20u" Min. Gold on Contact Area



Section A-A



Recommended P.C.B. Layout  
Layout Tolerance = ± 0.05 mm

DIMENSION IN mm [inch]	
Tolerance unless otherwise specified	
X.	X.* ± 10'
X.X ± 0.38	X.X' ± 5'
X.XX ± 0.25	X.XX' ± 2'
X.XXX ± 0.13	X.XXX' ±

**CEN** 欣訊科技股份有限公司  
CEN LINK CO., LTD.  
CUSTOMER DRAWING

Title	Waterproof 32 Pins Spring Pin Conn.
Dwg No.	TPE0-02032-00TX
File No.	PO4008
Apprver:	Checker:
Drawer:	Edsen
Date:	06/30/2006

Scale:	1.5 : 1
Size:	A 4
Rev :	B
Sheet:	1 / 1