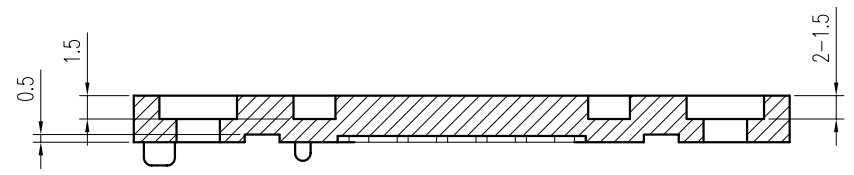
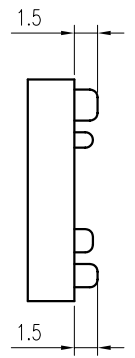
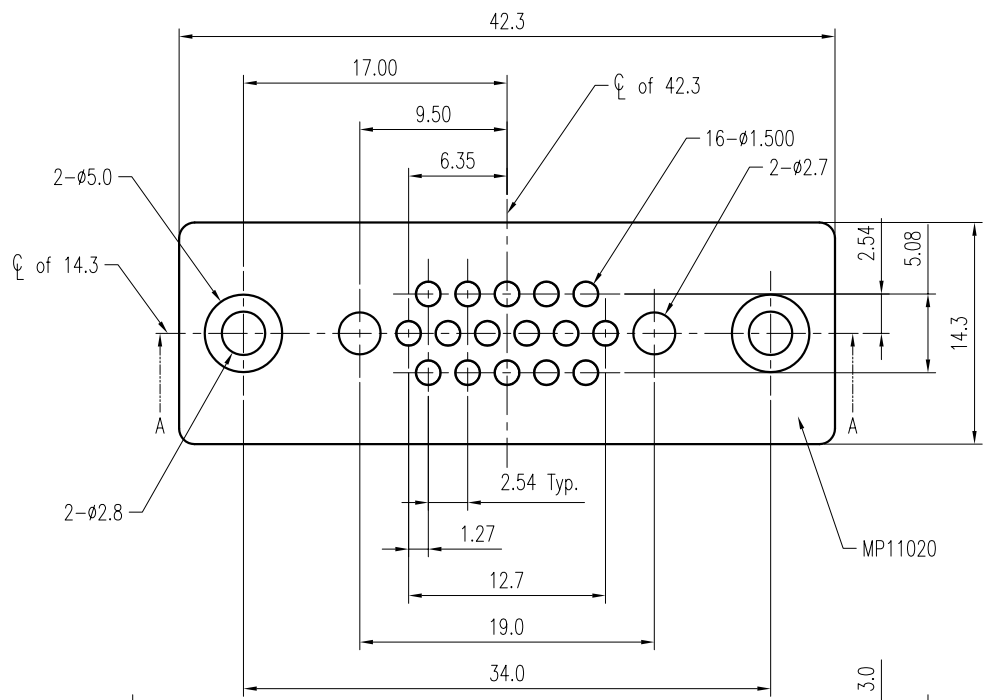
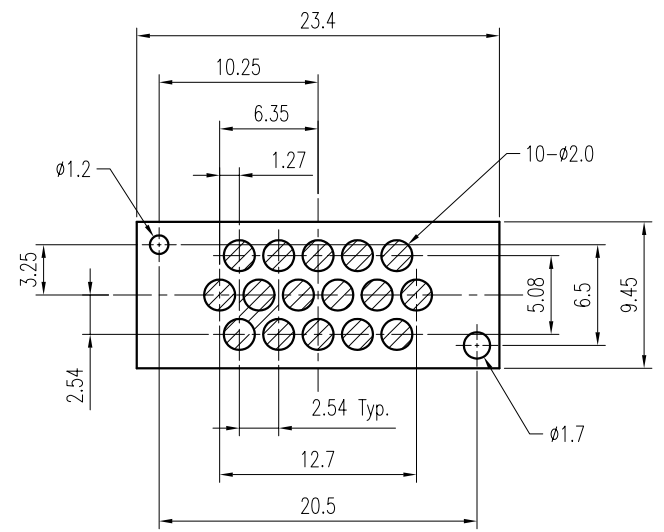
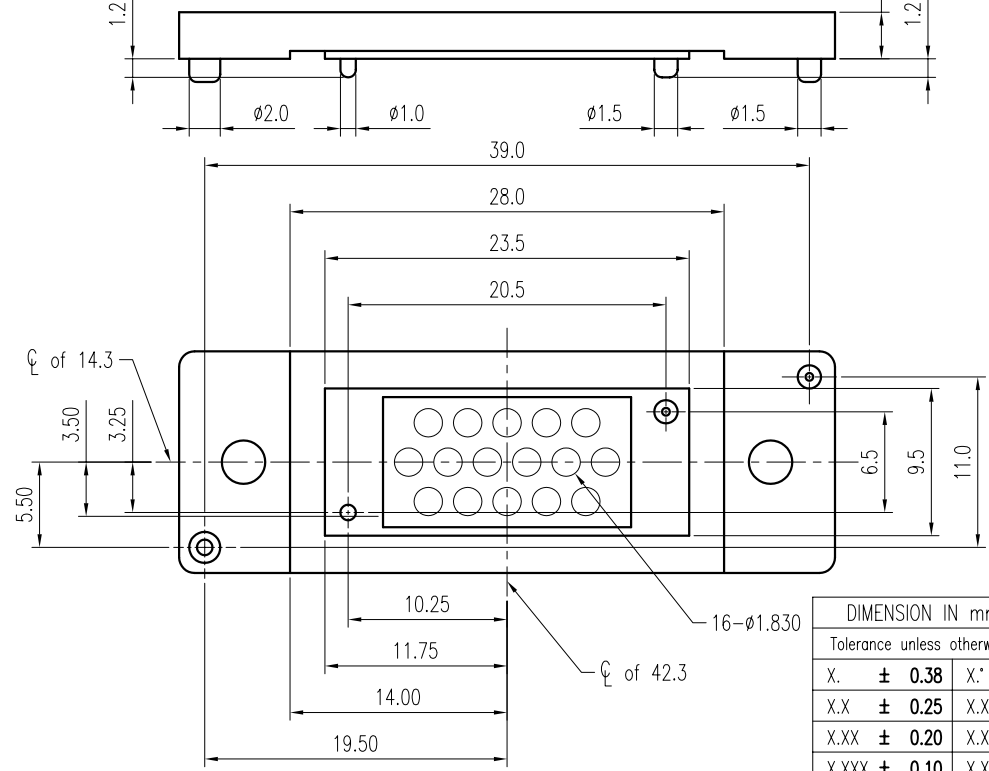


REV.	DESCRIPTION	ECN NO.	DATE	DRAWER
A	New Release		03/23/2006	Tom



Section A-A

- Notes:
- Material :  
Housing : Thermoplastic UL 94V-0, Black  
Terminal : Copper Alloy
  - Finish :  
Terminal : 20u" Gold, 50u" Ni Under-plated Overall
  - Order Information :  
TPEO-03130-70Y6



Recommended P.C.B. Layout  
Layout Tolerance = ± 0.05 mm

DIMENSION IN mm [inch]			
Tolerance unless otherwise specified			
X.	± 0.38	X.*	± 10'
X.X	± 0.25	X.X*	± 5'
X.XX	± 0.20	X.XX*	± 2'
X.XXX	± 0.10	X.XXX*	±

**CEN** 欣訊科技股份有限公司  
CEN LINK CO., LTD.  
CUSTOMER DRAWING

Title 2.54mm Pitch Plane Conn.  
16 Pins SMT Type  
Dwg No. TPEO-03130-70Y6  
File No. PO2017

Scale: 2 : 1  
Size: A 4  
Rev : A  
Sheet: 1 / 1

Approver: \_\_\_\_\_ Checker: \_\_\_\_\_ Drawer: **Tom**  
03/23/2006