

REV.	DESCRIPTION	ECN NO.	DATE	DRAWER
A	New Release		04/07/2005	Tom
B	Modified by Customer Design	EC0605001	05/02/2006	Kelly

Notes:

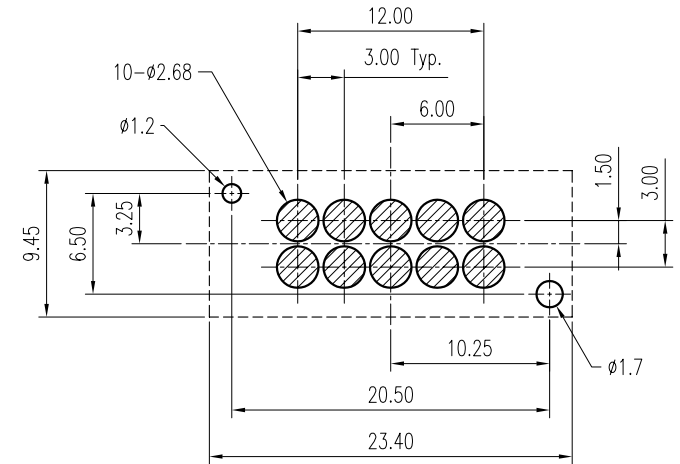
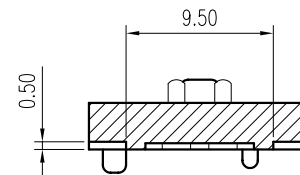
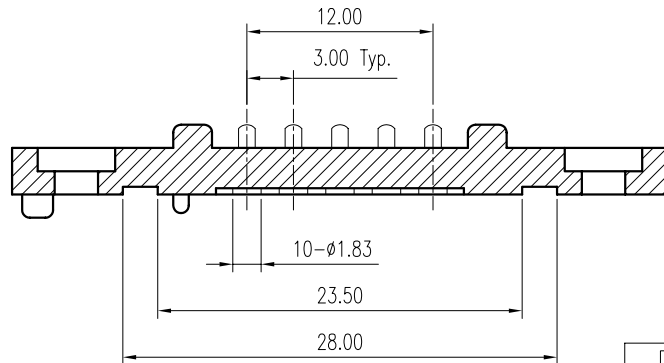
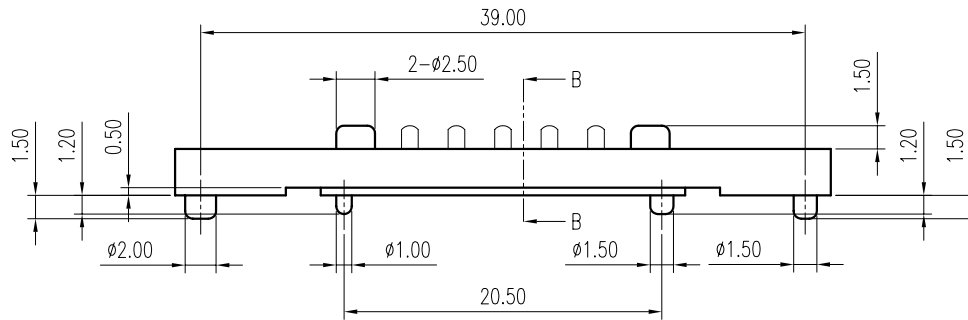
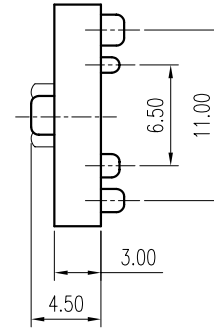
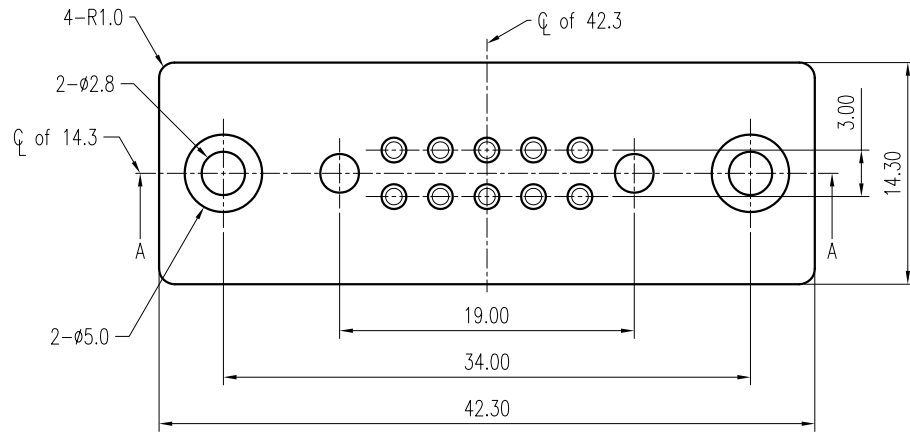
- Material :
Housing : Thermoplastic UL 94V-0 ,Black
Terminal : Copper Alloy
- Finish :
Terminal : Selected Gold on Contact Area,
G/F on Solder Tails, Both over
80u" Min. Ni Under-plated Overall
- Order Information :

PRO-01110-70Y X

T: RoHS(for High Temperature)

Plating Option:

6: 20u" Min. Gold on Contact Area



Recommended P.C.B. Layout
Layout Tolerance = \pm 0.05 mm

Section A-A

Section B-B

DIMENSION IN mm [inch]	
Tolerance unless otherwise specified	
X.	X.* \pm 10'
X.X \pm 0.38	X.X* \pm 5'
X.XX \pm 0.25	X.XX* \pm 2'
X.XXX \pm 0.13	X.XXX* \pm

CEN 欣訊科技股份有限公司
CEN LINK CO., LTD.
CUSTOMER DRAWING

Title	3.0 mm Pitch 10 Pins Spring Pin Conn.	
Dwg No.	TPRO-01110-70YX	
File No.	PO2017	Scale: 2 : 1
Apprver:	Checker:	Size: A 4
Drawer: Kelly	05/02/2006	Rev : B
		Sheet: 1 / 1