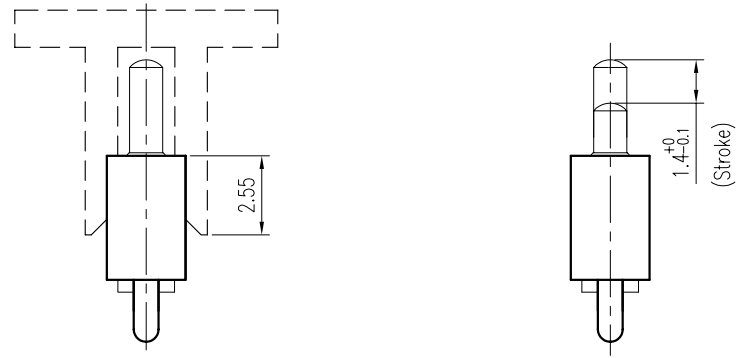
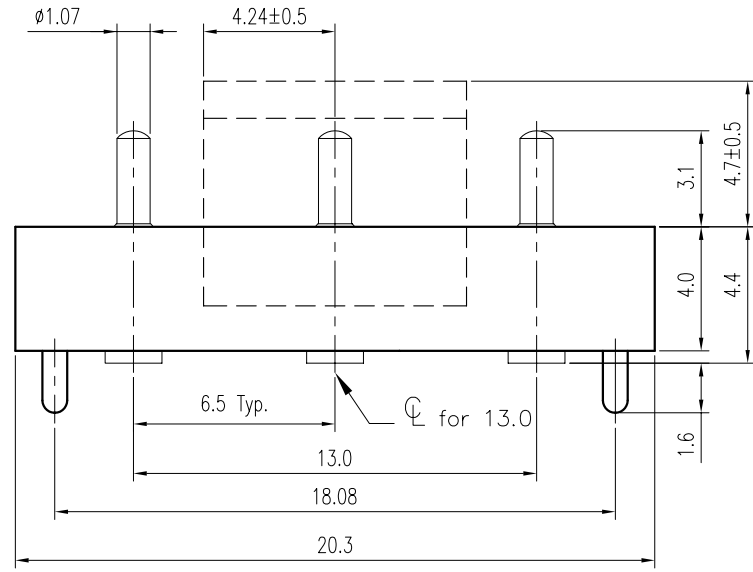


REV.	DESCRIPTION	ECN NO.	DATE	DRAWER
A	New Release		12/09/2004	Jeff
B	Added Cap Type.	EC0506027	06/20/2005	Jeff

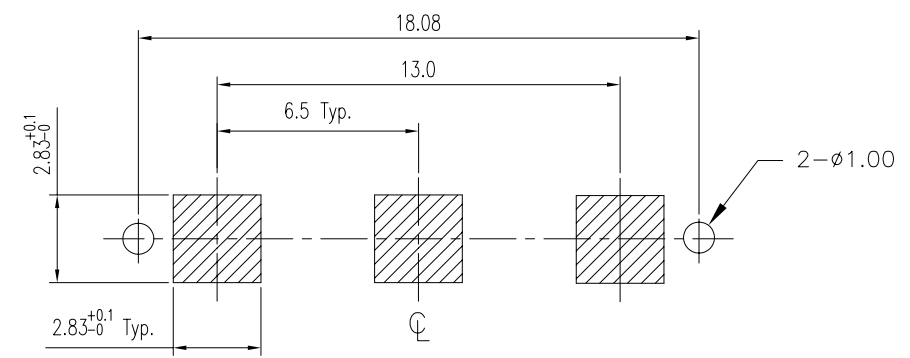
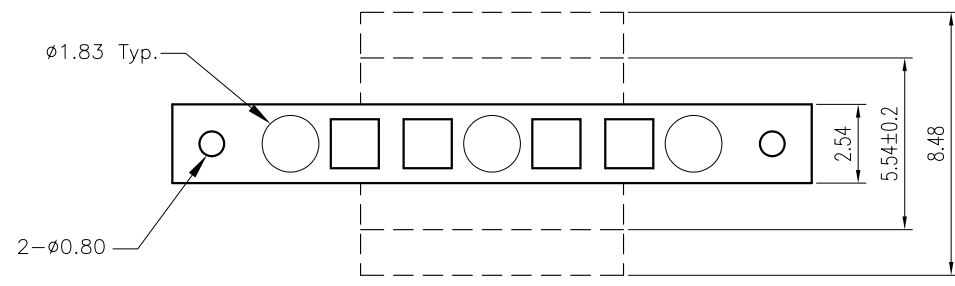


Notes:

- Material :
Housing : Thermoplastic UL 94V-0
Terminal : Copper Alloy
- Finish :
Terminal : 0.5um Au / 2.5um Ni.
- Order Information :
X PN1-01330-00 X 6

Blank : None Lead Free
T : With the European
RoHS Directive

Plating
T : Tube No Cap
R : Taping & Reel
2 : Taping & Reel And Cap



Recommended P.C.B. Layout
Layout Tolerance = ± 0.05 mm

DIMENSION IN mm [inch]		CEN 欣訊科技股份有限公司 CEN LINK CO., LTD.	Title 6.5mm Pitch Spring Pin Conn.		Scale: 4 : 1
Tolerance unless otherwise specified			Dwg No. OPN1-01330-0006	File No. PO4012	
X.	± 0.38	X.*	± 10'	CUSTOMER DRAWING	Approver: _____ Checker: _____ Drawer: Jeff
X.X	± 0.20	X.X*	± 5'		
X.XX	± 0.13	X.XX*	± 2'		
X.XXX	±	X.XXX*	±		
			06/20/2005		Sheet: 1 / 1