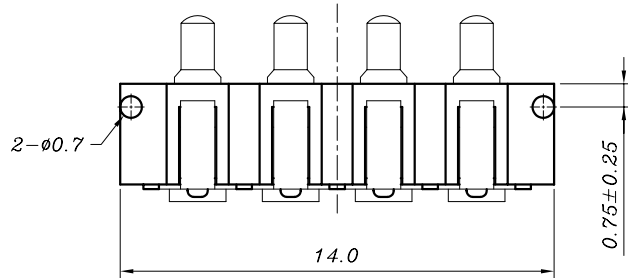
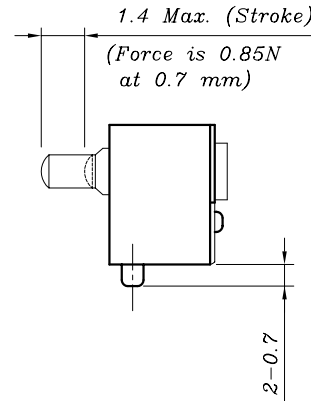
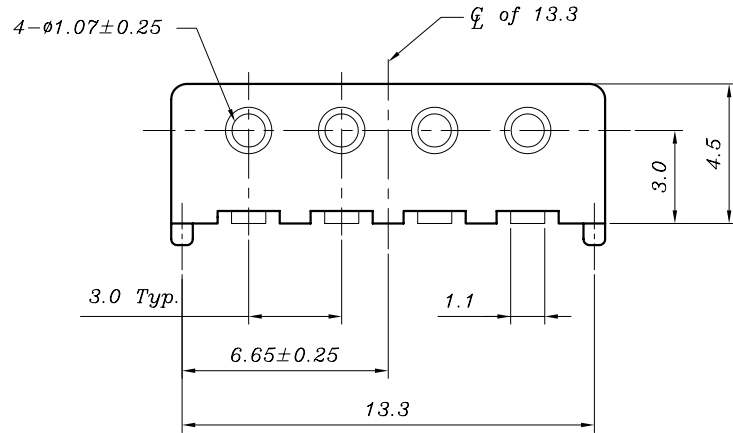
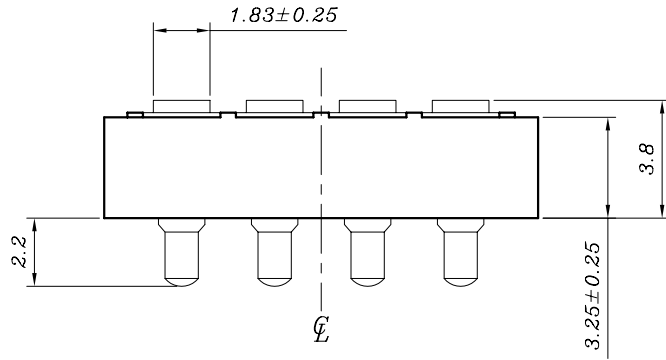


REV	MODIFICATION	DATE	DRAW	APPROVE
A	New Release	01/25/2005	Alan	Giordano
B	EC0503017	03/16/2005	Alan	Giordano



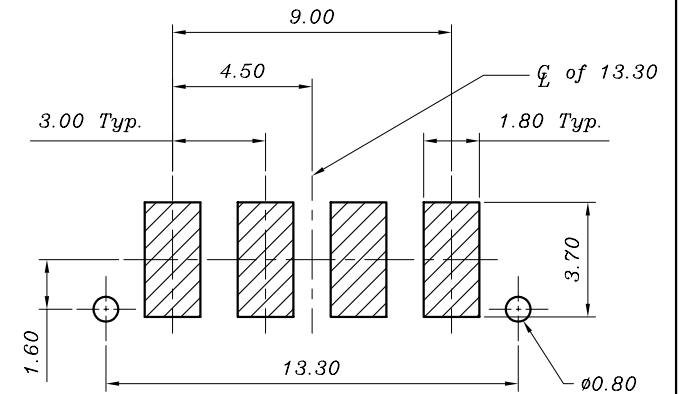
Notes :

- Material :  
Housing : Thermoplastic , UL 94V-0  
Spring Pin : Copper Alloy  
Plate : Copper Alloy
- Finish :  
Spring Pin : Selected Gold on contact area over 100u" min. Ni Under-plated Overall.  
Plate : Gold Flash over 80u" min. Ni Under-plated Overall.
- Order Information :

X SR1-01140-00 X X

T : With The European RoHs Directive  
N/A : Normal

Plating Options  
6=20u" Gold  
Packing  
T=Tube  
R=Tape&Reel



Recommended P.C.B. Layout  
Layout Tolerance = ±0.05mm

DIMENSION IN mm [inch]		CEN 欣訊科技股份有限公司 CEN LINK CO., LTD.	Title 3.0mm Pitch Battery Conn. (SPRING PIN SMT TYPE)		
Tolerance unless otherwise specified			CUSTOMER DRAWING		
X. ± 0.38	X.' ± 10'	Approve:		File No. P04014	Size: A4
X.X ± 0.25	X.X' ± 5'			Draw: Alan	Rev : B
X.XX ± 0.13	X.XX' ± 2'	Check:		03/16/2005	Sheet: 1 / 1
X.XXX ±					