

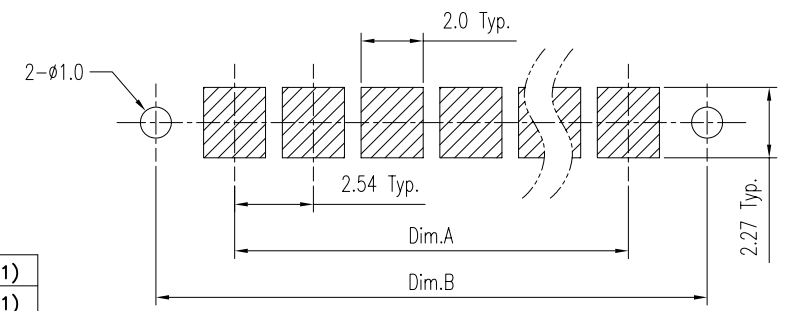
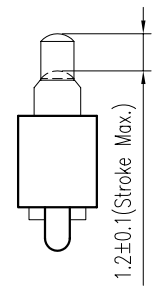
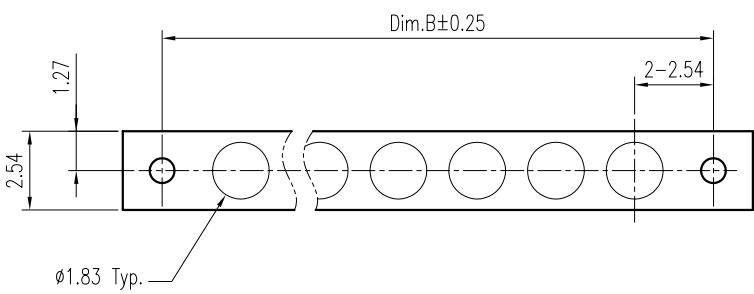
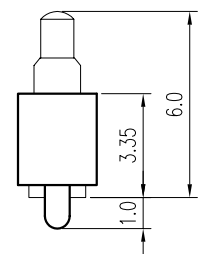
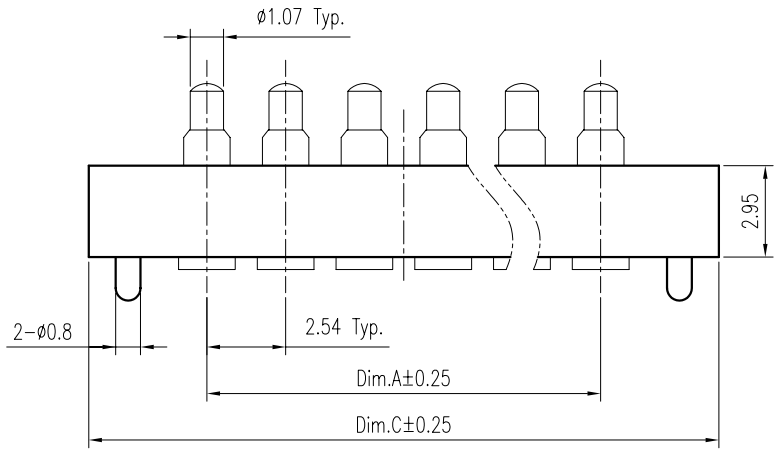
REV.	DESCRIPTION	ECN NO.	DATE	DRAWER
A	New Release		10/06/2005	Alan
B	Modified by Customer Design	EC0603023	03/09/2006	Alan

Notes:

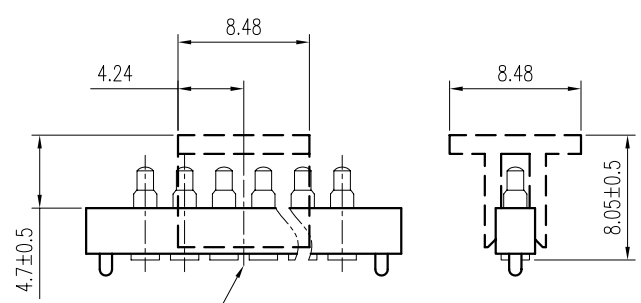
- Material :
Housing : Thermoplastic UL 94V-0
Terminal : Copper Alloy
Cap : Thermoplastic UL 94V-0
- Finish :
Terminal : Selected Gold on Contact Area, 10u" Min. Gold on Solder Tails, Both over 100u" Min. Ni Under-plated Overall
- Order Information :

T PE1-01J X 6-0 X X X
 T : RoHS(High Temperature)
 Plating
 6 : 20u" Min. Gold on Contact Area
 Packing
 T : Tube
 1 : Tube + Cap
 Color
 1 : White
 2 : Blank

Amount of Pins
 1 : 1 Pins
 s s
 A : 10 Pins
 s s
 G : 16 Pins



Dim.A	2.54 x (Amount of Pins - 1)
Dim.B	2.54 x (Amount of Pins + 1)
Dim.C	2.54 x (Amount of Pins + 2)



With Cap
Scale 2:1

Recommended P.C.B. Layout
Layout Tolerance = ± 0.05 mm

DIMENSION IN mm [inch]		Title	Scale: 4 : 1
Tolerance unless otherwise specified			
X. ±	X.* ± 10'	Dwg No.	TPE1-01JX6-OXXX
X.X ± 0.38	X.X* ± 5'	File No.	PO1008
X.XX ± 0.25	X.XX* ± 2'	Apprver:	Checker:
X.XXX ± 0.13	X.XXX* ±	Drawer:	Alan
		03/09/2006	
		Sheet: 1 / 1	