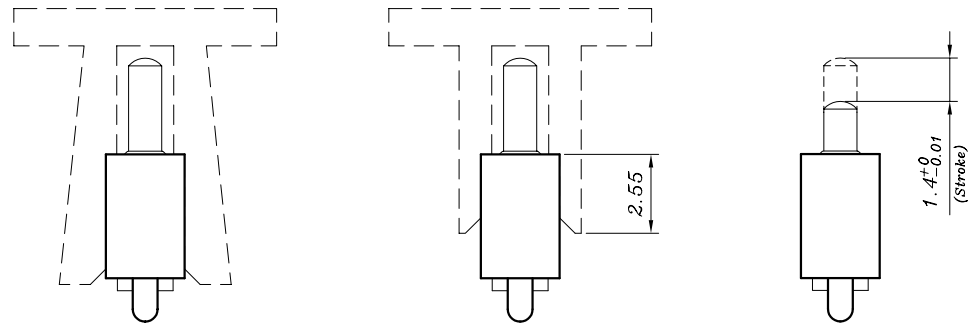
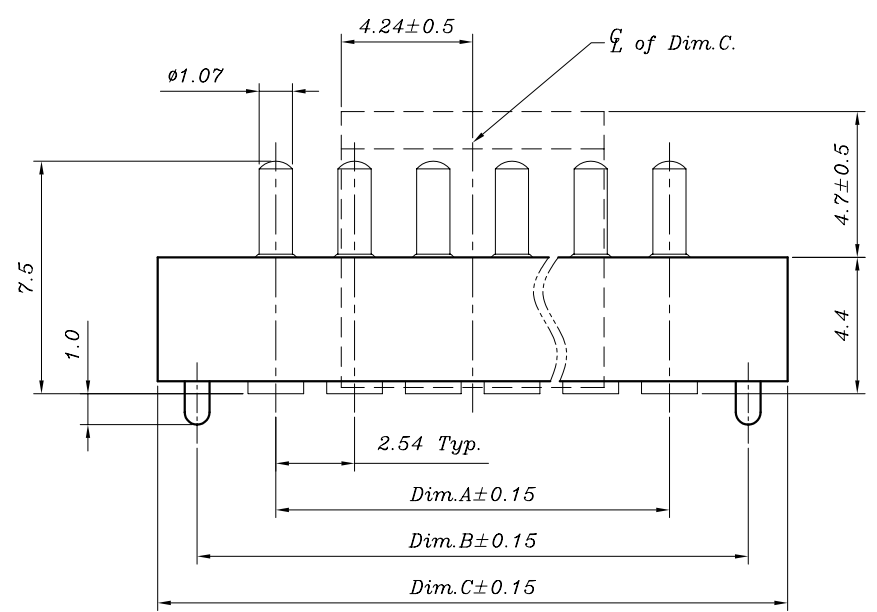


REV	MODIFICATION	DATE	DRAW	APPROVE
B	EC0410026	10/31/2004	Tom	Rich
C	EC0412001	12/22/2004	Tom	Giordano
D	EC0505042	05/14/2005	Tom	Giordano



Long Cap Type

Short Cap Type

Notes :

- Material :  
Housing : Thermoplastic , UL 94V-0.  
Terminal : Copper Alloy
- Finish :  
Terminal : Selected Gold On Contact Area, 10u" Gold On Solder Tails, Both Over 80u" Min. Ni Under-plated Overall.
- Order Information

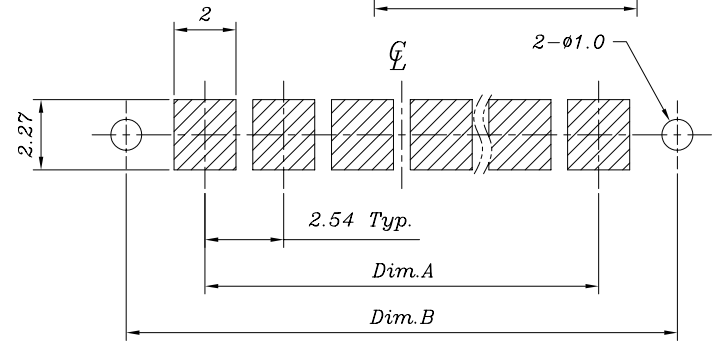
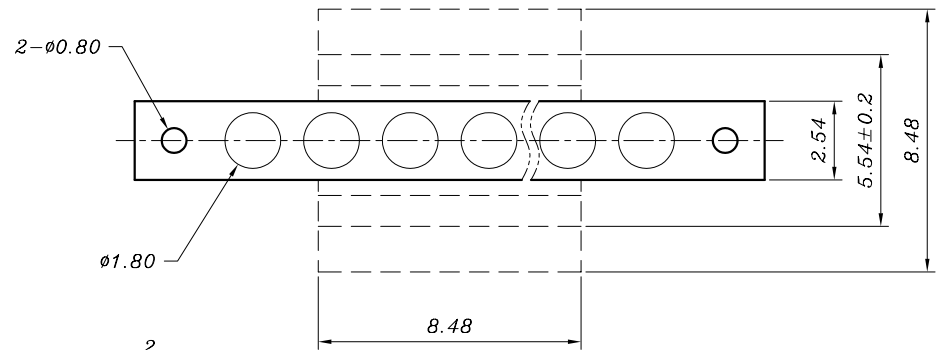
X PE1-01C X 9-02 X X

N/A : Normal  
T : With the European RoHS Directive

Plating:  
1: 20u" Gold

Packing:  
T: Tube, No Cap  
1: Tube, And Long Cap  
2: Taping & Reel, And Long Cap (Only For PE1-01C69-02XX Series)  
3: Taping & Reel, And Short Cap (Only For PE1-01C69-02XX Series)  
4: Tube, And Short Cap

Amount of Pins:  
1 : 1 Pin  
2 : 2  
9 : 9 Pins  
A : 10 Pins  
2 : 2  
G : 16 Pins



Recommended P.C.B. Layout  
Layout Tolerance = ± 0.05 mm

Dim.A	2.54 x (Amount Of Pins - 1)
Dim.B	2.54 x (Amount Of Pins + 1)
Dim.C	2.54 x (Amount Of Pins + 2)

DIMENSION IN mm [inch]	
Tolerance unless otherwise specified	
X. ± 0.38	X.' ± 10'
X.X ± 0.25	X.X' ± 5'
X.XX ± 0.13	X.XX' ± 2'
X.XXX ±	

**CEN** 欣訊科技股份有限公司  
CEN LINK CO., LTD.

CUSTOMER DRAWING

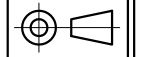
Title **2.54mm Pitch Pin Header (Spring Pin Type)**

Dwg No. **OPE1-01C09-0200**  
File No. **P01008**

Approve:

Check:

Draw: **Tom**  
05/14/2005



Scale: **4 : 1**  
Size: **A4**  
Rev : **D**  
Sheet: **1 / 1**