

REV.	DESCRIPTION	ECN NO.	DATE	DRAWER
A	New Release		08/17/2005	Jeff
B	Modified Part Number	EC0605007	05/04/2006	Aaron

Notes:

- Material :
Housing : Thermoplastic UL 94V-0 , Black
Terminal : Copper Alloy
Cap : Thermoplastic UL 94V-0 , Black
- Finish :
Terminal : 0.5um Au/2.5um Ni
- Order Information :

T PE1-011 X 9-0 X X 1
T : RoHS(for High Temperature)

Amount of Pins

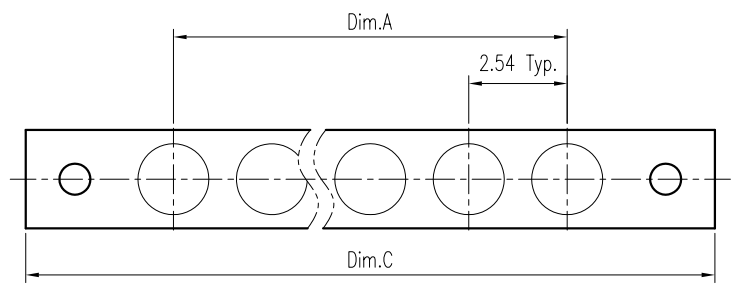
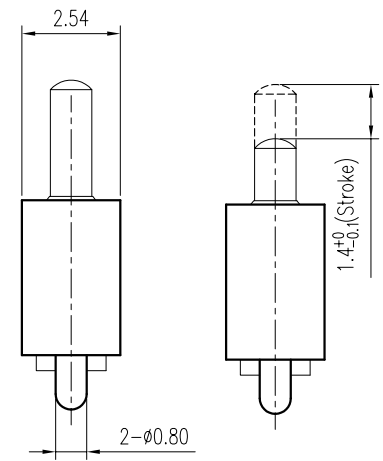
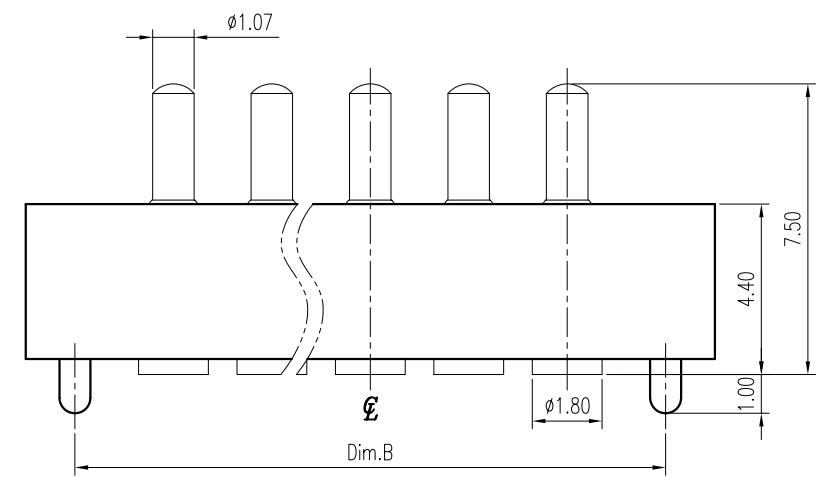
- 2 : 2 Pins
- s
- 9 : 9 Pins
- A : 10 Pins
- s
- G : 16 Pins

Housing Color :

- 1 : White
- 2 : Black

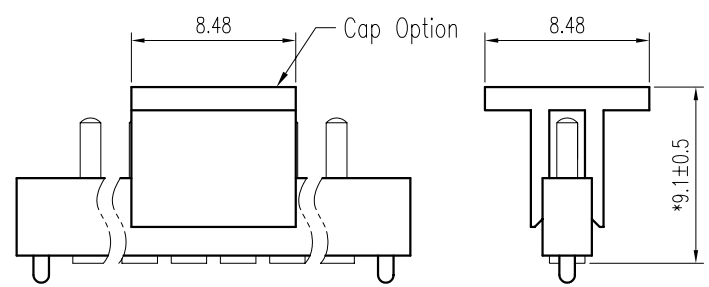
Packing :

- T : Tube
- 1 : Tube + Cap

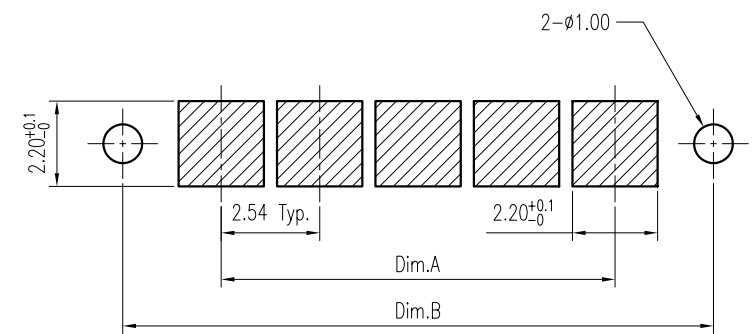


Dimension Information:

Part No.	Dim.	Amount of Pins	Dim.A	Dim.B	Dim.C
TPE1-01129-OXX1	2	2.54	7.62	10.16	15.24
TPE1-01139-OXX1	3	5.08	10.16	12.70	17.78
TPE1-01149-OXX1	4	7.62	12.70	15.24	20.32
TPE1-01159-OXX1	5	10.16	15.24	17.78	22.86
TPE1-01169-OXX1	6	12.70	17.78	20.32	25.40
TPE1-01179-OXX1	7	15.24	20.32	22.86	27.94
TPE1-01189-OXX1	8	17.78	22.86	25.40	30.48
TPE1-01199-OXX1	9	20.32	25.40	27.94	33.02
TPE1-011A9-OXX1	10	22.86	27.94	30.48	35.56
TPE1-011B9-OXX1	11	25.40	30.48	33.02	38.10
TPE1-011C9-OXX1	12	27.94	33.02	35.56	40.64
TPE1-011D9-OXX1	13	30.48	35.56	38.10	43.18
TPE1-011E9-OXX1	14	33.02	38.10	40.64	45.72
TPE1-011F9-OXX1	15	35.56	40.64	43.18	
TPE1-011G9-OXX1	16	38.10	43.18	45.72	



With Cap
Scale 10:1



Recommended P.C.B. Layout
Layout Tolerance = ± 0.05 mm

DIMENSION IN mm [inch]	
Tolerance unless otherwise specified	
X. ±	X.* ± 10'
X.X ± 0.38	X.X* ± 5'
X.XX ± 0.25	X.XX* ± 2'
X.XXX ± 0.13	X.XXX* ±

CEN 欣訊科技股份有限公司
CEN LINK CO., LTD.

CUSTOMER DRAWING

Approver: _____ Checker: _____

Title 2.54mm Pitch Spring Pin Conn.
Dwg No. TPE1-011X9-OXX1
File No. P01008

Drawer: Aaron

Scale: 5 : 1
Size: A 4
Rev : B
Sheet: 1 / 1